

THIS DRAWING IS UNPUBLISHED. RELEASED FOR PUBLICATION
 © COPYRIGHT BY TYCO ELECTRONICS CORPORATION. ALL RIGHTS RESERVED.

LOC		DIST		REVISIONS			
P	LTR	DESCRIPTION	DATE	DWN	APVD		
01		REVISED PER ECO-06-16575	7/12/06	SS	SRY		

NOTES:
 ⚠ MATERIAL: .032 THICK, BRASS, TEMPERED.
 ⚠ FINISH: BRIGHT TIN PLATE.

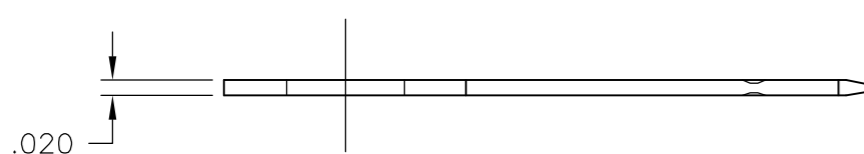
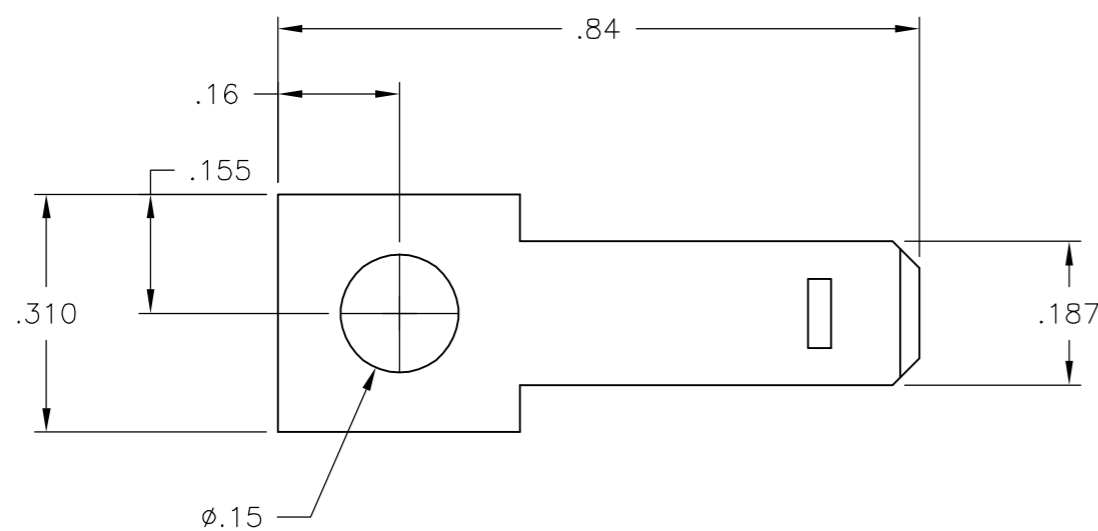


FIGURE 1

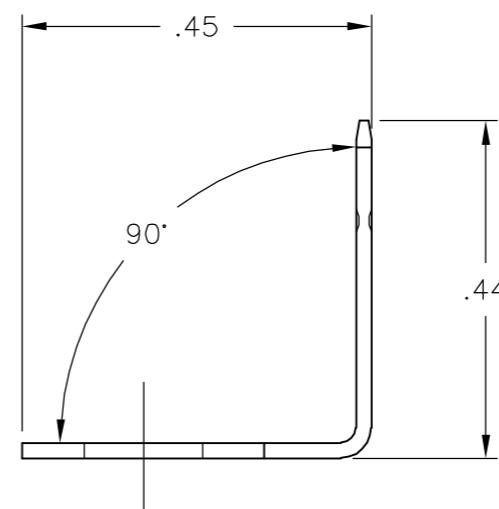
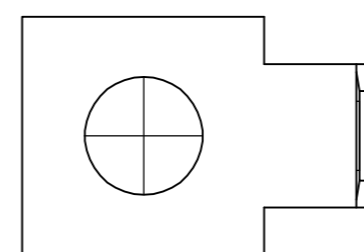


FIGURE 2

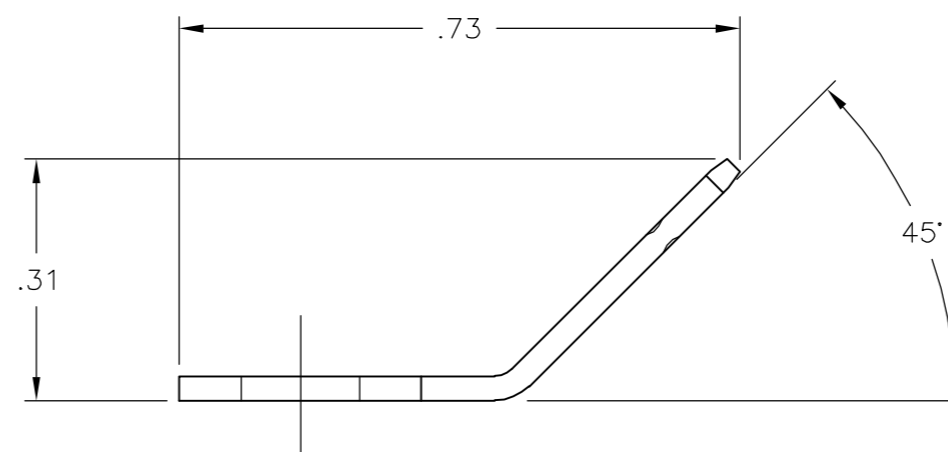
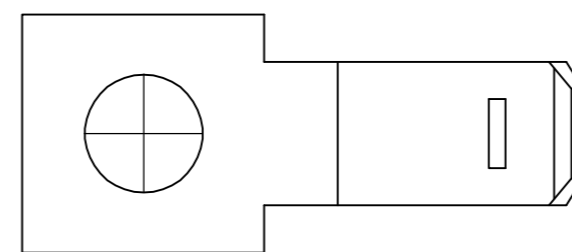


FIGURE 3

FIGURE	CATALOG NO.	PART NO.
FIGURE 3	QC6-45-3	6-1437644-2
FIGURE 2	QC6-90-3	6-1437644-5
FIGURE 1	QC6-180-3	5-1437644-8

THIS DRAWING IS A CONTROLLED DOCUMENT.		DWN S SCHLEGEL 07NOV03	Tyco Electronics Corporation Harrisburg, PA 17105-3608	
DIMENSIONS: INCHES		CHK S YODER 11/7/03		
TOLERANCES UNLESS OTHERWISE SPECIFIED:		APVD S YODER 11/7/03	NAME 6 SERIES, .187 WIDE QC TABS	
0 PLC ± - 1 PLC ± - 2 PLC ± .01 3 PLC ± .005 4 PLC ± - ANGLES ± 1°		PRODUCT SPEC -	SIZE A2	
MATERIAL -		FINISH -	CAGE CODE 00779	DRAWING NO. 5-1437644-8
-		WEIGHT -	RESTRICTED TO -	SCALE 4:1
-		CUSTOMER DRAWING	SHEET 1 of 1	REV 01