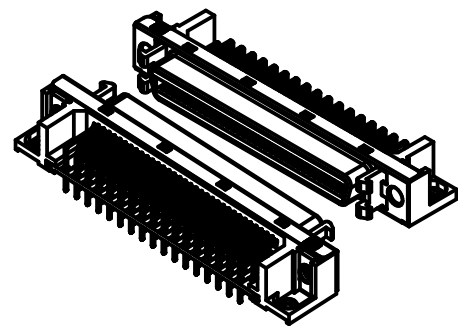


PCB layout: component side



According to IEC 61076-3-100
 1) see TB 60 11 068 5732 folio 2/2
 for reel packaging.

All Dimensions in mm Original Size DIN A 3			Techn. Character.			Free size tolerances	
			Dat.	Name	Scale	har.mik® I/O bellow	
			Detail.	29-OCT-09	J.Sheng	2:1	68P Har.mik female SMC with angled solder pins, thread hole M2.5, fixed latches
			Insp.	18-Nov-09	S.W.		
			Stand.	18-Nov-09	S.W.		
EC01926	31-May-10	K.Luo	Zhuhai Harting Limited				TB 60 11 068 5732
31770	29-OCT-09	J.Sheng					
Mod.	Dat.	Name					
						Page	1/2
						Sub.	

All rights reserved