

LIFT-OFF CLAMP COVER, TYPE 12

APPLICATION

With a chain-secured, lift-off clamp cover, this enclosure meets basic functionality requirements for housing controls and instrumentation.

SPECIFICATIONS

- 16 or 14 gauge steel
- Seams continuously welded and ground smooth
- Screw-down clamps
- Lift-off cover
- Bonding provision on cover
- Chain holds cover to box when cover is removed
- Oil-resistant gasket
- Weldnuts provided for mounting optional panels and terminal block kits in size 6.00 x 4.00 in. (152 x 102 mm) and larger
- External welded-on mounting brackets for easy installation

FINISH

ANSI 61 gray polyester powder paint inside and out

ACCESSORIES

See also *Accessories*.

Clamp Kits

Fast-Operating Clamp-Cover Junction Box Clamp

Panels for Junction Boxes

Terminal Block Kit Assembly for Junction Boxes Overview

Steel and Stainless Steel Window Kits

MODIFICATION AND CUSTOMIZATION

Hoffman excels at modifying and customizing products to your specifications. Contact your local Hoffman sales office or distributor for complete information.

BULLETIN: A51LP

INDUSTRY STANDARDS

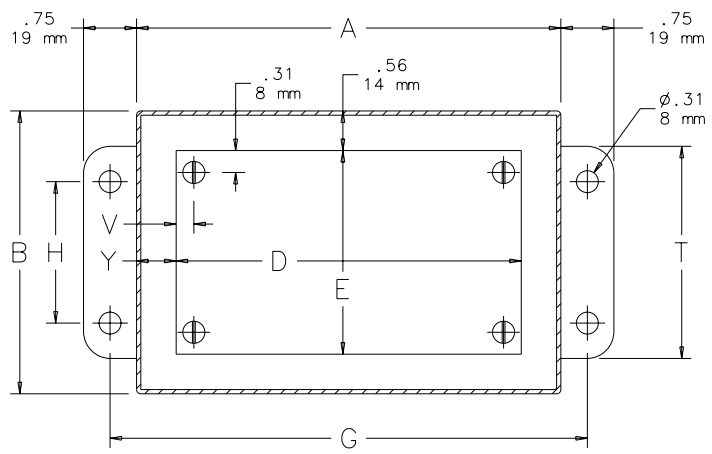
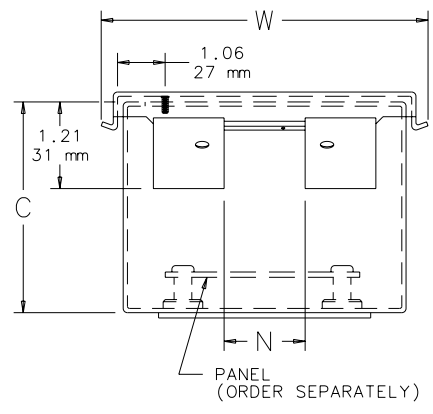
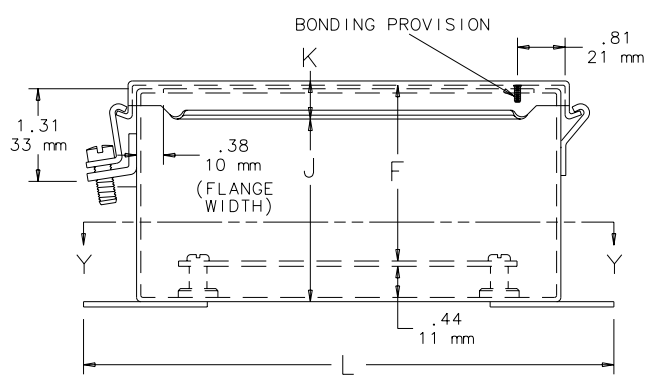
UL 50, 50E Listed; Type 12, 13; File No. E27525
 cUL Listed per CSA C22.2 No. 94; Type 12, 13; File No. E27525
 UL 508A Listed; Type 12, 13; File No. E61997
 cUL Listed per CSA C22.2 No. 94; Type 12, 13; File No. E61997

NEMA/EEMAC Type 12 and 13
 CSA, File No. 42184: Type 12
 IEC 60529, IP65

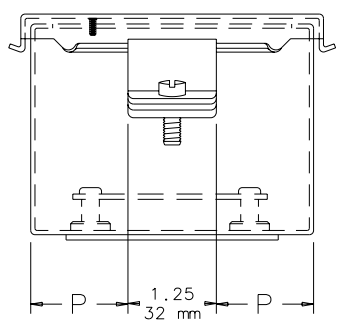
Standard Product

Catalog Number	AxBxC in./mm	Gauge	UL Listed	Panel	Conductive Panel	Panel Size D x E in./mm	Mounting G x H in./mm	Overall L x W in./mm	F in./mm	J in./mm	K in./mm	N in./mm	P in./mm	T in./mm	V in./mm	Y in./mm
A404LP	4.00 x 4.00 x 3.00 102 x 102 x 76	16	508A	No Panel	No Panel	No Panel	4.75 x 2.00 121 x 51	5.50 x 4.57 140 x 116	—	2.62 66	0.54 14	1.31 33	1.38 35	3.00 76	—	—
A604LP	6.00 x 4.00 x 3.00 152 x 102 x 76	16	508A	A6P4	A6P4G	4.88 x 2.88 124 x 73	6.75 x 2.00 171 x 51	7.50 x 4.57 191 x 116	2.53	2.62 66	0.54 14	1.31 33	1.38 35	3.00 76	0.31 8	0.56 14
A806LP	8.00 x 6.00 x 3.50 203 x 152 x 89	14	50, 50E	A8P6	A8P6G	6.75 x 4.88 171 x 124	8.75 x 4.00 222 x 102	9.50 x 6.64 241 x 169	3.03	3.12 74	0.56 14	2.88 73	2.38 60	5.00 127	0.25 6	0.62 16
A4044LP	4.00 x 4.00 x 4.00 102 x 102 x 102	16	508A	No Panel	No Panel	No Panel	4.75 x 2.00 121 x 51	5.50 x 4.57 140 x 116	—	3.62 92	0.54 14	1.31 33	1.38 35	3.00 76	—	—
A6044LP	6.00 x 4.00 x 4.00 152 x 102 x 102	16	508A	A6P4	A6P4G	4.88 x 2.88 124 x 73	6.75 x 2.00 171 x 51	7.50 x 4.57 191 x 116	3.53	3.62 92	0.54 14	1.31 33	1.38 35	3.00 76	0.31 (8) 8	0.56 14
A606LP	6.00 x 6.00 x 4.00 152 x 152 x 102	16	50, 50E	A6P6	A6P6G	4.88 x 4.88 124 x 124	6.75 x 4.00 171 x 102	7.50 x 6.57 191 x 167	3.53	3.62 92	0.54 14	2.88 73	2.38 60	5.00 127	0.31 (8) 8	0.56 14
A808LP	8.00 x 8.00 x 4.00 203 x 203 x 102	14	50, 50E	A8P8	A8P8G	6.75 x 6.88 171 x 175	8.75 x 6.00 222 x 152	9.50 x 8.94 241 x 227	3.53	3.62 92	0.56 14	4.00 102	1.00 25	7.00 178	0.25 6	0.62 16
A1008LP	10.00 x 8.00 x 4.00 254 x 203 x 102	14	50, 50E	A10P8	A10P8G	8.75 x 6.88 222 x 175	10.75 x 6.00 273 x 152	11.50 x 8.57 292 x 218	3.53	3.62 92	0.56 14	4.00 102	1.00 25	7.00 178	0.25 (6) 6	0.62 16
A1210LP	12.00 x 10.00 x 5.00 305 x 254 x 127	14	50, 50E	A12P10	A12P10G	10.75 x 8.88 273 x 226	12.75 x 8.00 324 x 203	13.50 x 10.64 343 x 270	4.53	4.62 117	0.56 14	6.00 152	1.00 25	9.00 229	0.25 (6) 6	0.62 16
A8066LP	8.00 x 6.00 x 6.00 203 x 152 x 152	14	50, 50E	A8P6	A8P6G	6.75 x 4.88 171 x 124	8.75 x 4.00 222 x 102	9.50 x 6.64 241 x 169	3.03	3.12 74	0.56 14	2.88 73	2.38 60	5.00 127	0.25 6	0.62 16
A10086LP	10.00 x 8.00 x 6.00 254 x 203 x 152	14	50, 50E	A10P8	A10P8G	8.75 x 6.88 222 x 175	10.75 x 6.00 273 x 152	11.50 x 8.57 292 x 218	3.53	3.62 92	0.56 14	4.00 102	1.00 25	7.00 178	0.25 (6) 6	0.62 16
A12126LP	12.00 x 12.00 x 6.00 305 x 305 x 152	14	50, 50E	A12P12	A12P12G	10.75 x 10.88 273 x 276	12.75 x 10.00 324 x 254	13.50 x 12.28 343 x 312	5.53	5.51 140	0.56 14	8.00 203	1.00 25	11.00 279	0.25 6	0.62 16
A1412LP	14.00 x 12.00 x 6.00 356 x 305 x 152	14	50, 50E	A14P12	A14P12G	12.75 x 10.88 324 x 276	14.75 x 10.00 375 x 254	15.50 x 12.64 394 x 321	5.53	5.62 140	0.56 14	8.00 203	1.00 25	11.00 279	0.25 (6) 6	0.62 16
A1614LP	16.00 x 14.00 x 6.00 406 x 356 x 152	14	50, 50E	A16P14	A16P14G	14.75 x 12.88 375 x 327	16.75 x 12.00 425 x 305	17.50 x 14.64 445 x 372	5.53	5.62 140	0.56 14	10.00 254	1.00 25	13.00 330	0.25 (6) 6	0.62 16
A14128LP	14.00 x 12.00 x 8.00 356 x 305 x 203	14	50, 50E	A14P12	A14P12G	12.75 x 10.88 324 x 276	14.75 x 10.00 375 x 254	15.50 x 12.64 394 x 321	5.53	5.62 140	0.56 14	8.00 203	1.00 25	11.00 279	0.25 (6) 6	0.62 16
A161410LP	16.00 x 14.00 x 10.00 406 x 356 x 254	14	50, 50E	A16P14	A16P14G	14.75 x 12.88 375 x 327	16.75 x 12.00 425 x 305	17.50 x 14.64 445 x 372	5.53	5.62 140	0.56 14	10.00 254	1.00 25	13.00 330	0.25 (6) 6	0.62 16

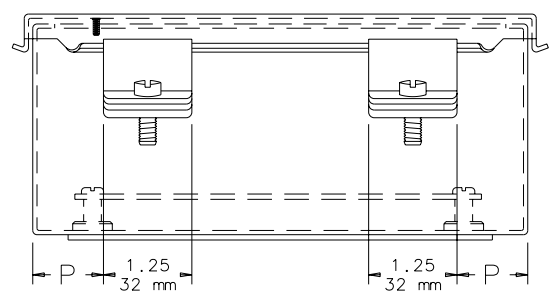
Purchase panels separately. Optional stainless steel, conductive, composite and aluminum panels are available for most sizes.



SECTION Y-Y



$B < 8.00$ (203mm)



$B \geq 8.00$ (203mm)

C2481-C