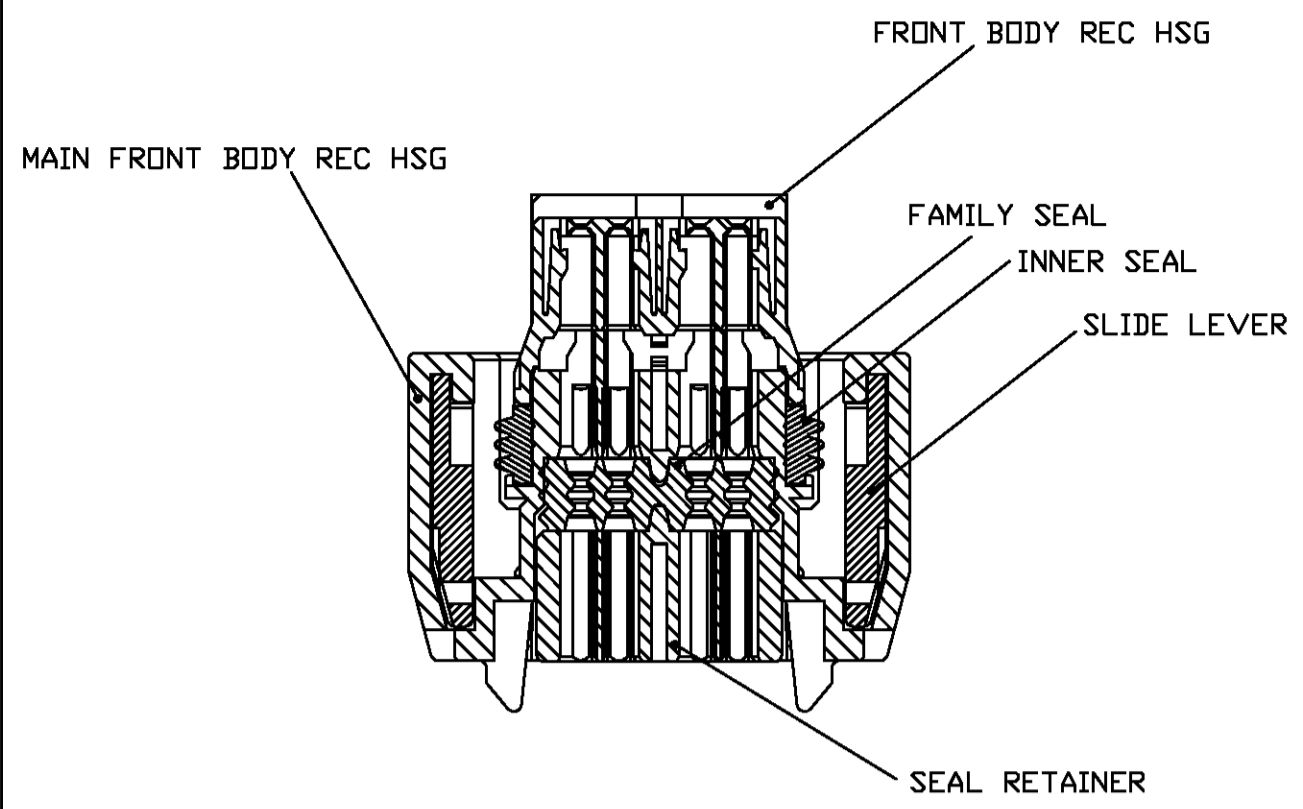
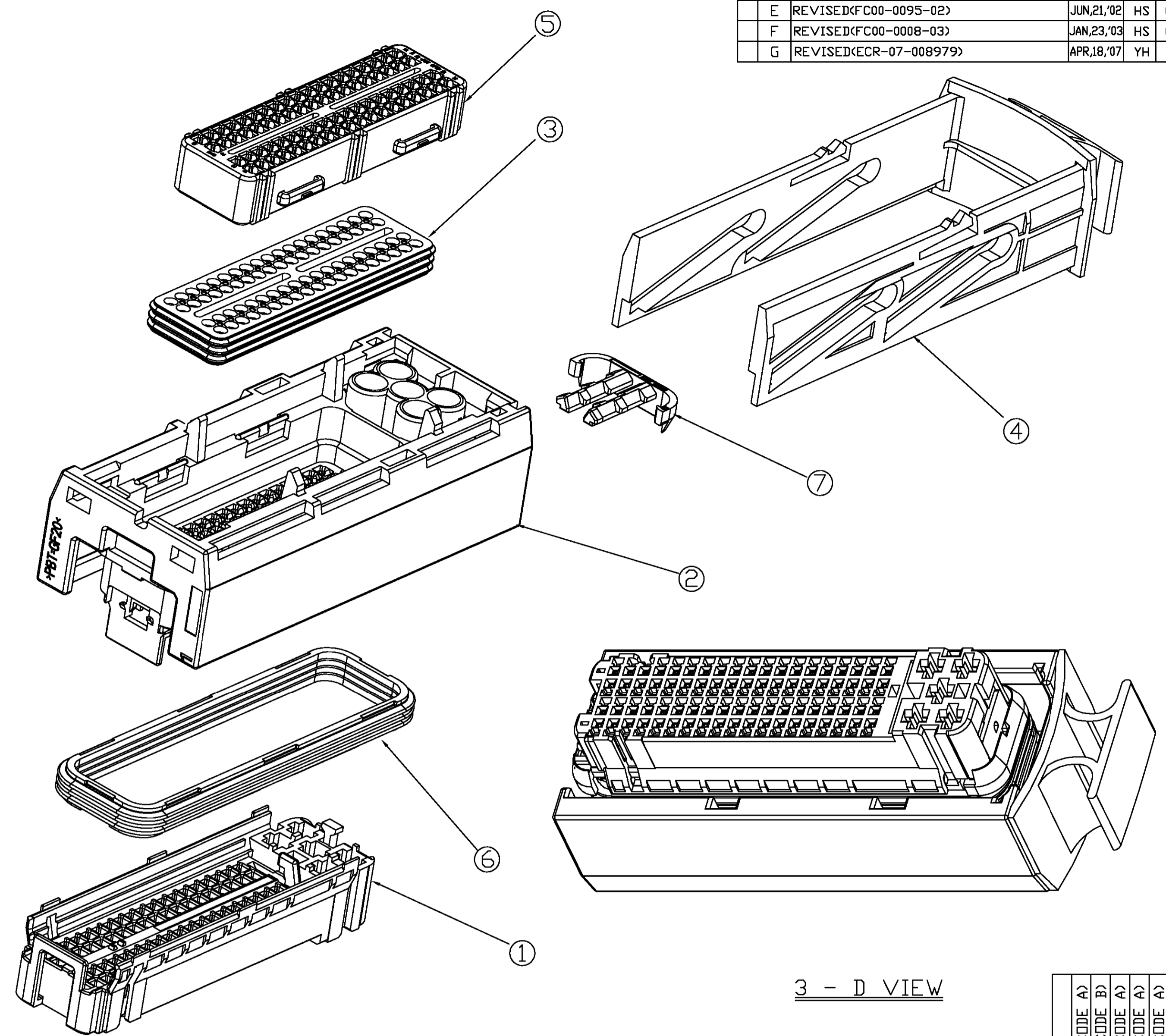
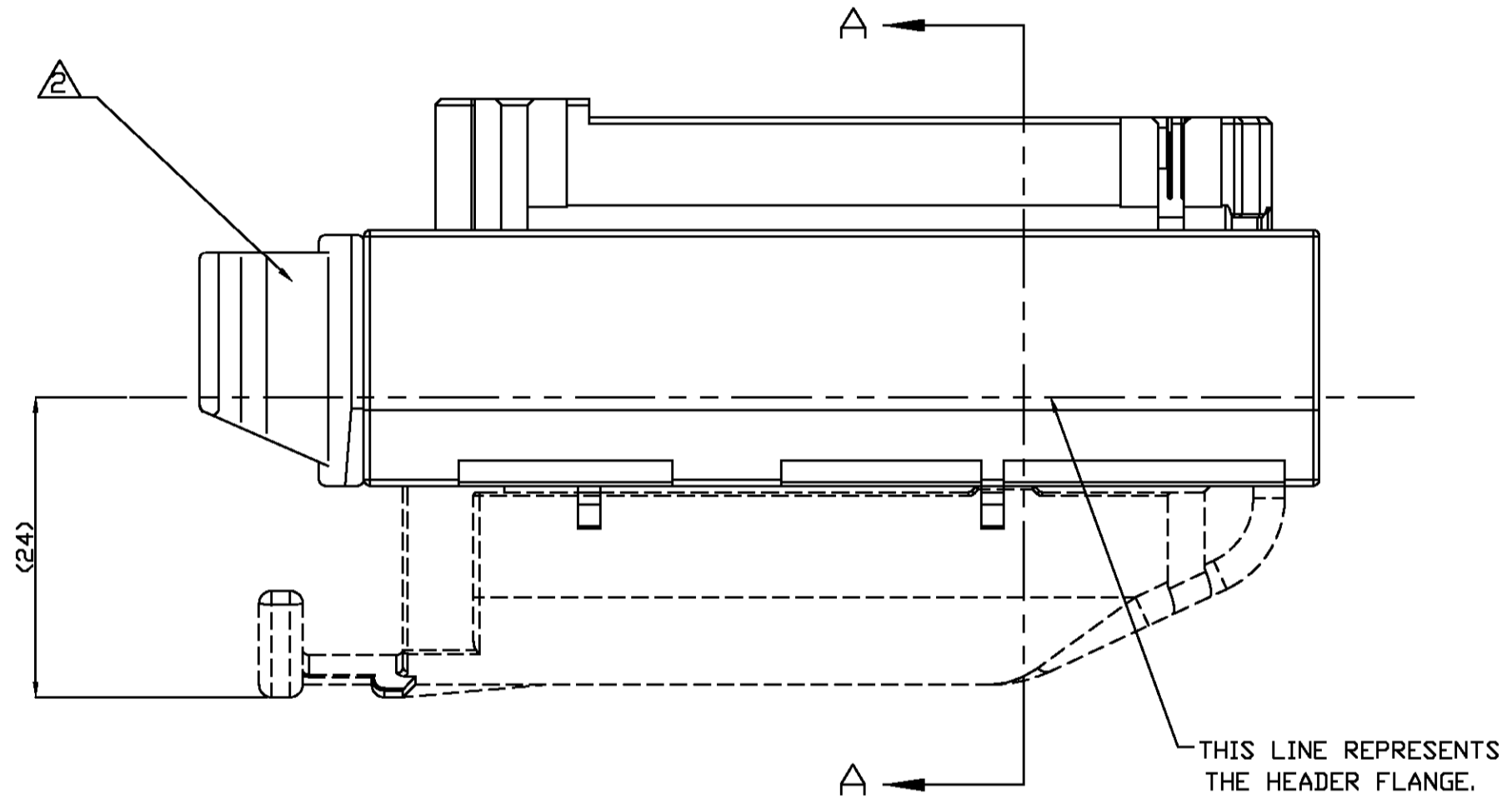
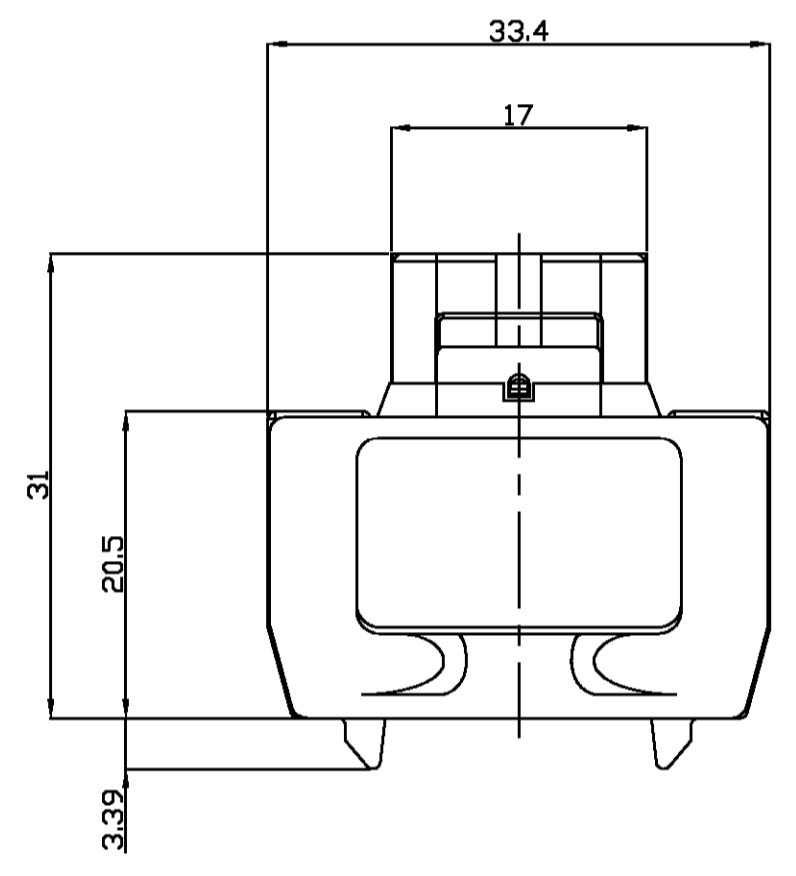
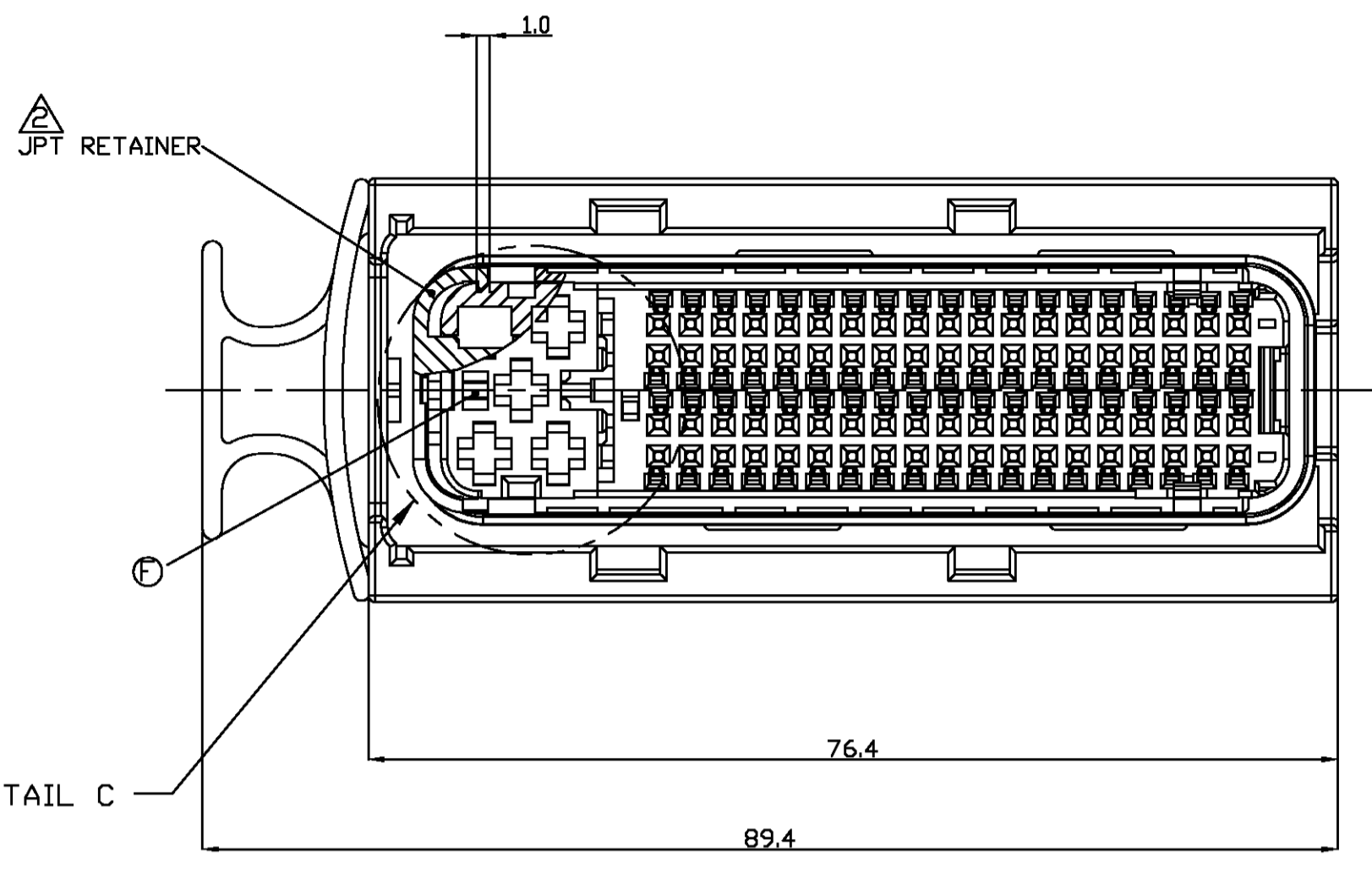


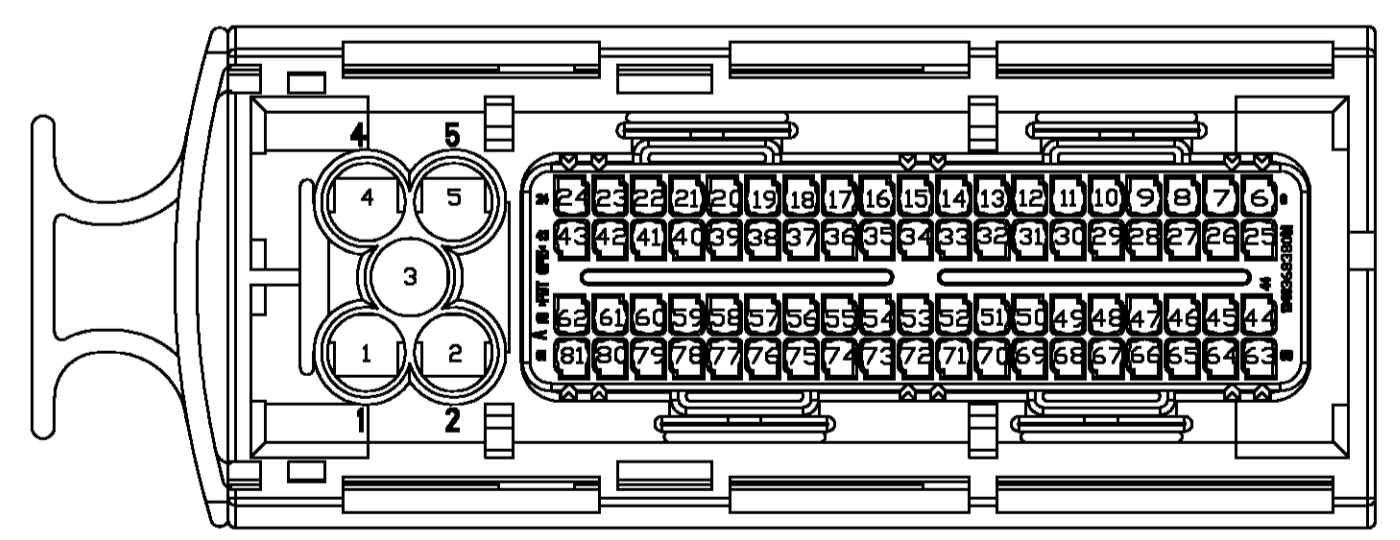
LOC	DIST	REVISIONS			
P	LYR	DESCRIPTION	DATE	BY	APP'D
B		REVISED<FC00-0104-01>	OCT,12,'01	HS	CS
C		REVISED<FC00-0132-01>	NOV,23,'01	HS	CS
D		REVISED<FC00-0145-01>	JAN,30,'02	HS	CS
E		REVISED<FC00-0095-02>	JUN,21,'02	HS	CS
F		REVISED<FC00-0008-03>	JAN,23,'03	HS	CS
G		REVISED<ECR-07-008979>	APR,18,'07	YH	JK



SECT. A-A

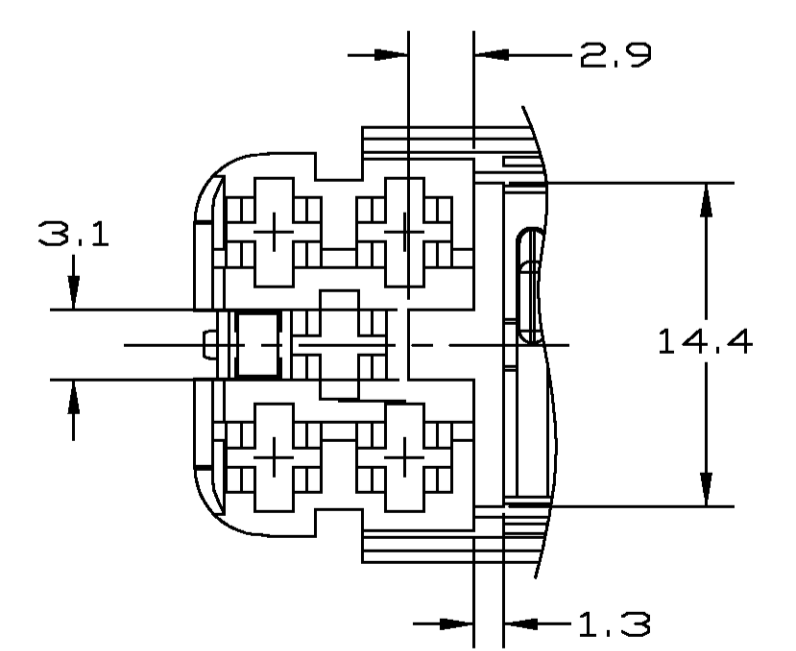


3 - D VIEW

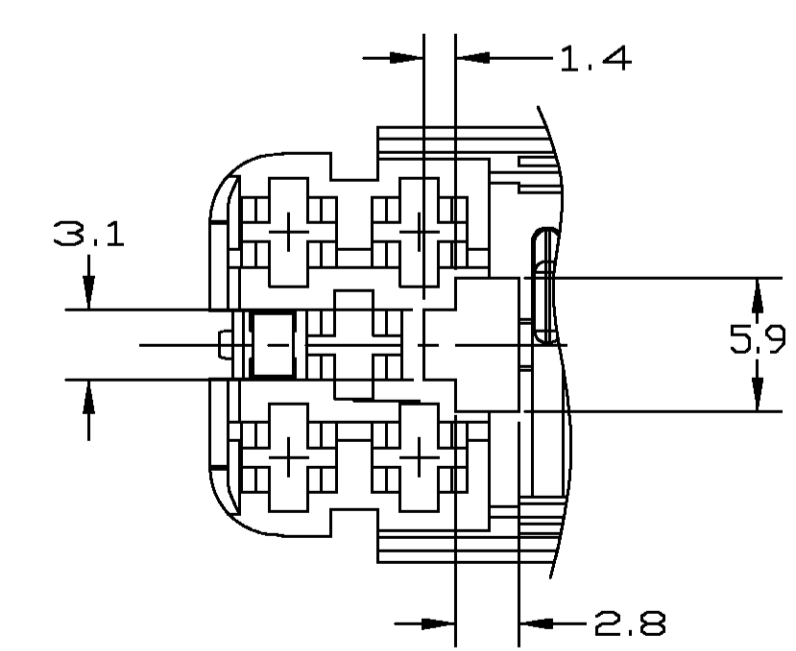


CIRCUIT NUMBER LAYOUT SCALE(2/1)

PART NUMBER	BLANKED CAVITIES	
368376-4	6,8,10,21,25~28,33,34,41,42,46~49,53,61,65~68,70,72,74,80,81.	Ⓐ Ⓑ Ⓒ Ⓓ
368376-3	14~16,20,30,32~35,37,39,45~47,53~59,72~75,77.	Ⓐ Ⓒ
368376-2	7,9,10,14~16,20,27,30,32~35,37,39,45~47,52~59,67,68,72~75,77.	Ⓐ
368376-1	-	



Ⓑ DETAIL C SCALE 3/1



- NOTES
- GENERAL TOLERANCE IS ±0.5
 - CONDITION OF DELIVERY : SLIDE LEVER IN CLOSED POSITION, JPT RETAINER IN OPEN POSITION.
 - SUITABLE FOR WIRE SIZE RANGE:

CONTACT	MQS	JPT
CIRCUIT NO.	6 - 81	1 - 5
WIRE SIZE(mm ²)	0.5 - 0.75	0.5 - 2.5
 - APPLIED COVER HSG P/N: 368389.
 - APPLIED RECEPTACLE CONTACT P/N:

CONTACT	MQS	JPT		
Part No.	968220	968221	964286	964273
WIRE SIZE(mm ²)	0.5	0.75	0.5 - 1.0	1.0 - 2.5
 - APPLIED HEADER ASSEMBLY P/N: 368146.

NO.	Part NO.	DESCRIPTION	MATERIAL	COLOR	Q'TY
7	368381-1	JPT RETAINER	PBT-GF30	YELLOW	1 1 1 1 1 1
6	368905-1	INNER SEAL FOR 81P	SILICONE	ORANGE	1 1 1 1 1 1
5	368380-4	SEAL RETAINER FOR 81P	PBT-GF15	BLUE	1
	368380-3			WHITE	1
	368380-2			GRAY	1
4	368379-1	SLIDE LEVER FOR 81P	PA66-GF35	BLACK	1 1 1 1 1 1
	368904-1	76P FAMILY SEAL	SILICONE	ORANGE	1 1 1 1 1 1
2	368378-1	MAIN BODY REC. HSG FOR 81P	PBT-GF20	BLACK	1 1 1 1 1 1
1	368377-2	FRONT BODY REC. HSG FOR 81P(CODE B)	PA66-GF15	RED	1
1	368377-1	FRONT BODY REC. HSG FOR 81P(CODE A)	PA66-GF15	BLACK	1 1 1 1 1 1

ASSY P/N	DISCUSSION
Ⓒ2-368376-1	81Pos REC. HSG ASSY(CODE A)
1-368376-1	81Pos REC. HSG ASSY(CODE B)
368376-4	81Pos REC. HSG ASSY(CODE A)
368376-3	81Pos REC. HSG ASSY(CODE A)
368376-2	81Pos REC. HSG ASSY(CODE A)
368376-1	81Pos REC. HSG ASSY(CODE A)

7	368381-1	JPT RETAINER	PBT-GF30	YELLOW	1 1 1 1 1 1
6	368905-1	INNER SEAL FOR 81P	SILICONE	ORANGE	1 1 1 1 1 1
5	368380-4	SEAL RETAINER FOR 81P	PBT-GF15	BLUE	1
5	368380-3	SEAL RETAINER FOR 81P	PBT-GF15	WHITE	1
5	368380-2	SEAL RETAINER FOR 81P	PBT-GF15	GRAY	1
4	368379-1	SLIDE LEVER FOR 81P	PA66-GF35	BLACK	1 1 1 1 1 1
3	368904-1	76P FAMILY SEAL	SILICONE	ORANGE	1 1 1 1 1 1
2	368378-1	MAIN BODY REC. HSG FOR 81P	PBT-GF20	BLACK	1 1 1 1 1 1
1	368377-2	FRONT BODY REC. HSG FOR 81P(CODE B)	PA66-GF15	RED	1
1	368377-1	FRONT BODY REC. HSG FOR 81P(CODE A)	PA66-GF15	BLACK	1 1 1 1 1 1

NO.	Part NO.	DESCRIPTION	MATERIAL	COLOR	Q'TY
7	368381-1	JPT RETAINER	PBT-GF30	YELLOW	1 1 1 1 1 1
6	368905-1	INNER SEAL FOR 81P	SILICONE	ORANGE	1 1 1 1 1 1
5	368380-4	SEAL RETAINER FOR 81P	PBT-GF15	BLUE	1
5	368380-3	SEAL RETAINER FOR 81P	PBT-GF15	WHITE	1
5	368380-2	SEAL RETAINER FOR 81P	PBT-GF15	GRAY	1
4	368379-1	SLIDE LEVER FOR 81P	PA66-GF35	BLACK	1 1 1 1 1 1
3	368904-1	76P FAMILY SEAL	SILICONE	ORANGE	1 1 1 1 1 1
2	368378-1	MAIN BODY REC. HSG FOR 81P	PBT-GF20	BLACK	1 1 1 1 1 1
1	368377-2	FRONT BODY REC. HSG FOR 81P(CODE B)	PA66-GF15	RED	1
1	368377-1	FRONT BODY REC. HSG FOR 81P(CODE A)	PA66-GF15	BLACK	1 1 1 1 1 1

APPROVED BY	CHK YH MA	NAME	AMP KOREA, kyungsan, korea.
DIMENSIONS: MM	TOLERANCES UNLESS OTHERWISE SPECIFIED	APV9 JK SONG	
0 PLC ±	1 PLC ±	PRODUCT SPEC	108-61039
2 PLC ±	3 PLC ±	APPLICATION SPEC	114-18050, 114-18021-1
4 PLC ±	ANGLES ±	SIZE	CAGE CODE DRAWING NO
FINISH		WEIGHT	00779 ©= 368376
3rd ANGLE PROJECTION		CUSTOMER DRAWING	SCALE 2:1 SHEET 1 OF 1 REV G