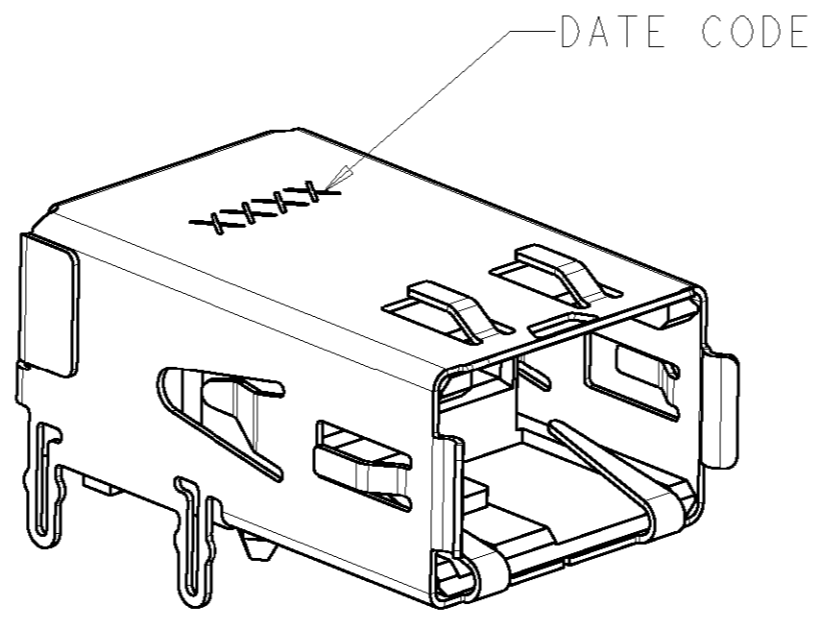
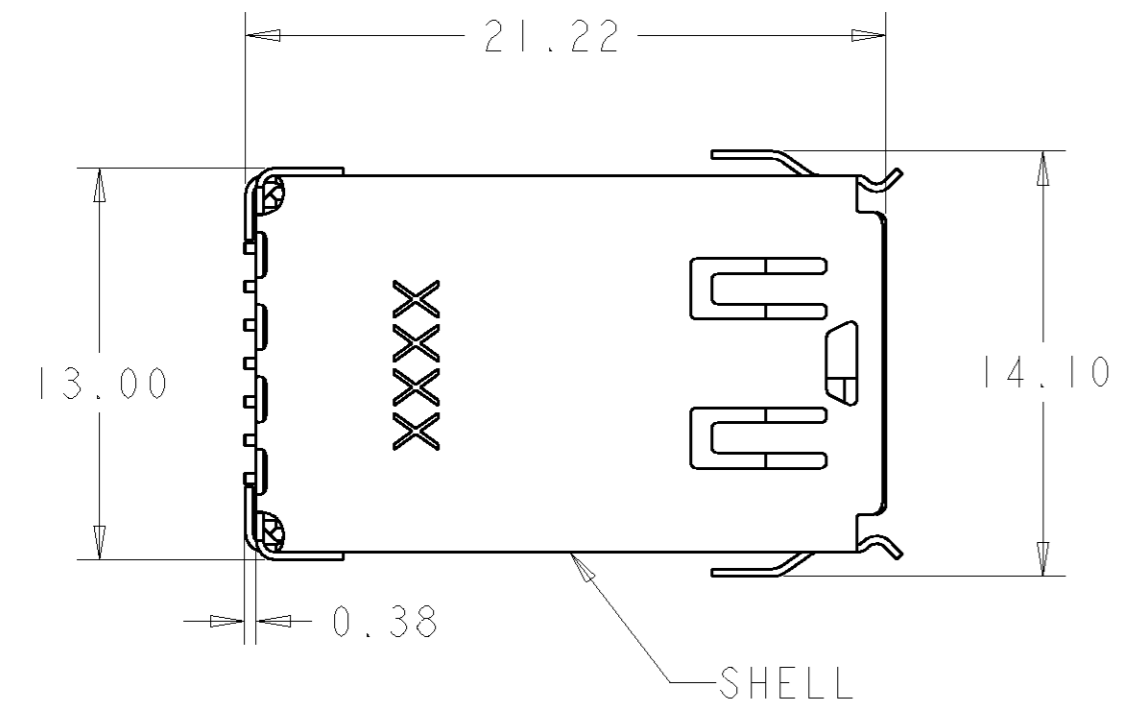
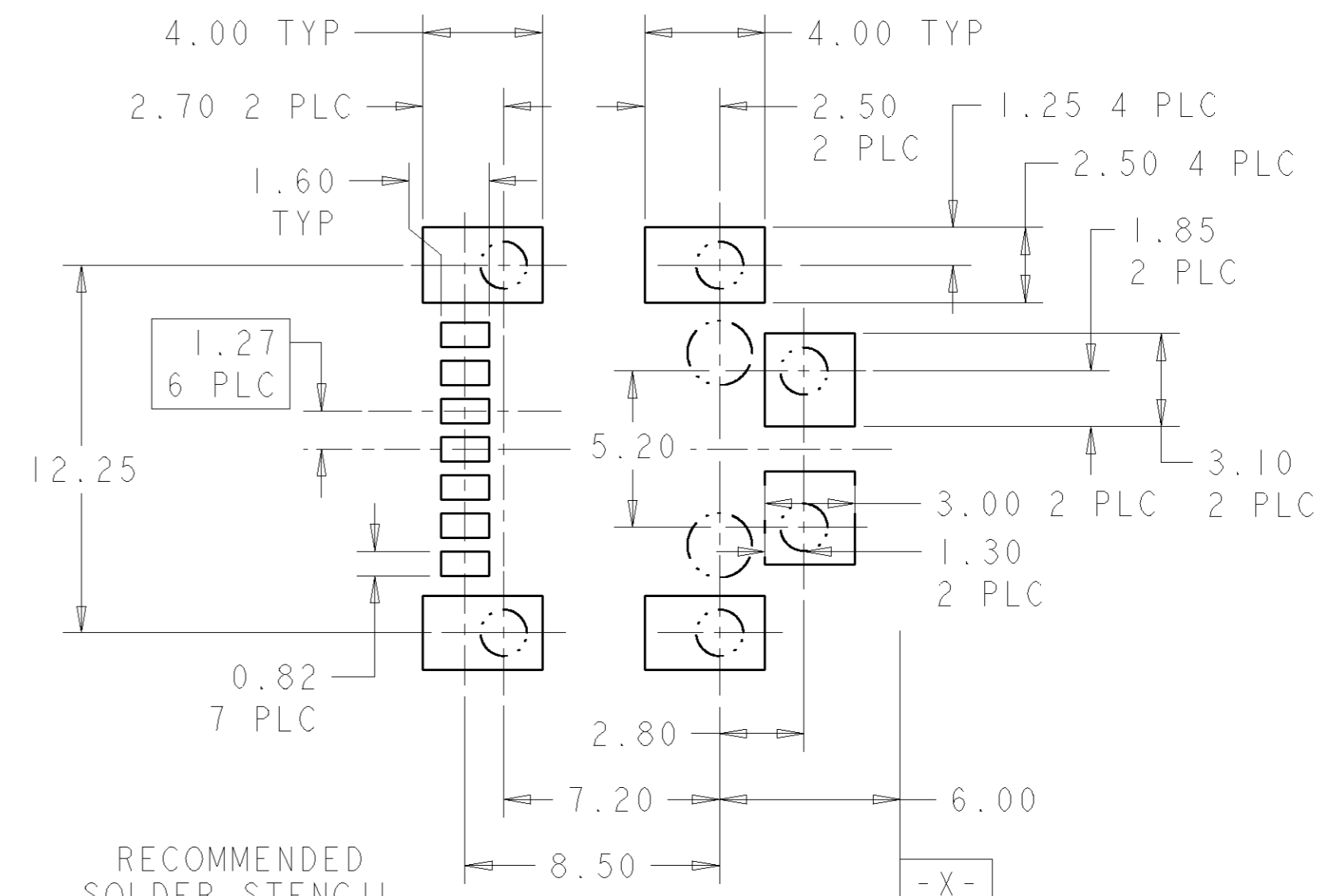
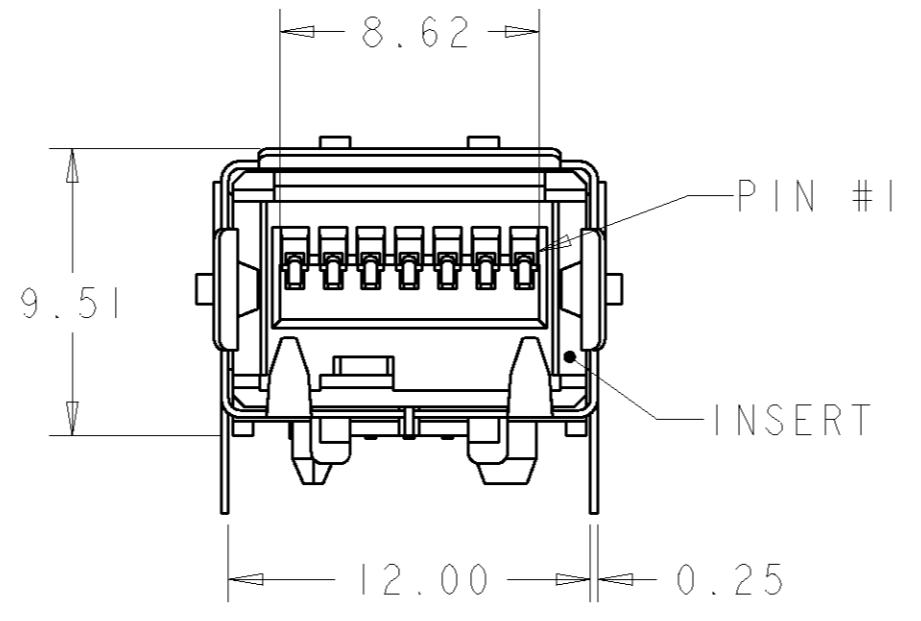
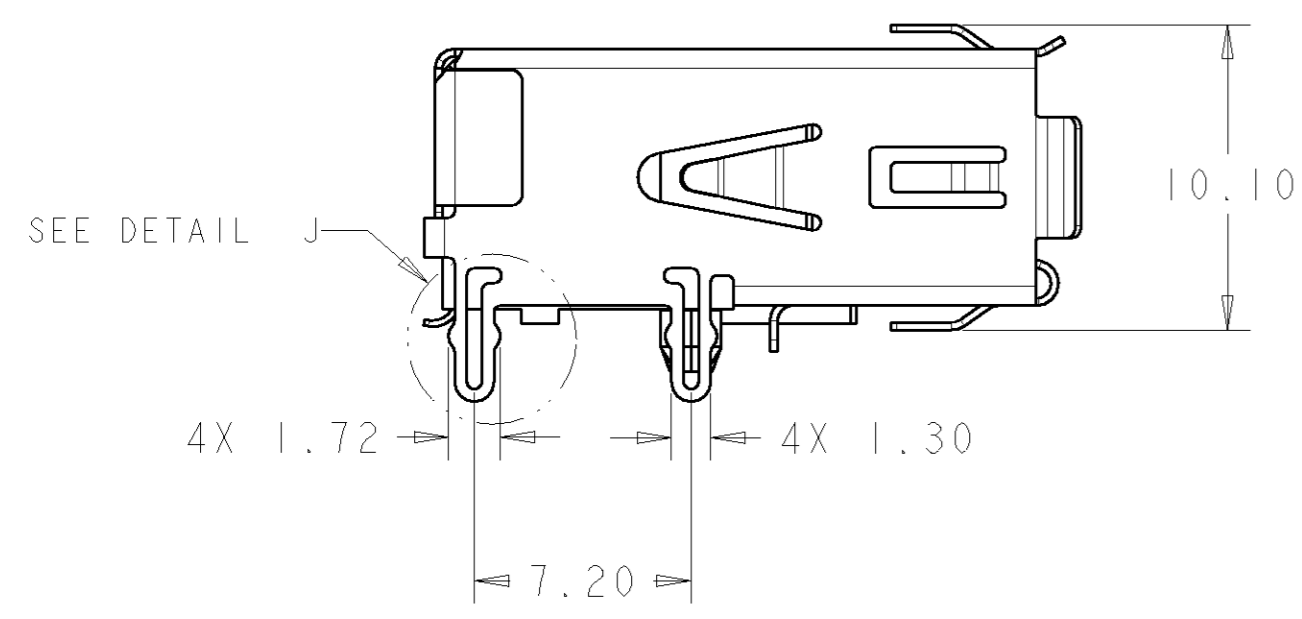


THIS DRAWING IS UNPUBLISHED. RELEASED FOR PUBLICATION 20
 © COPYRIGHT 20 BY TYCO ELECTRONICS CORPORATION. ALL RIGHTS RESERVED.

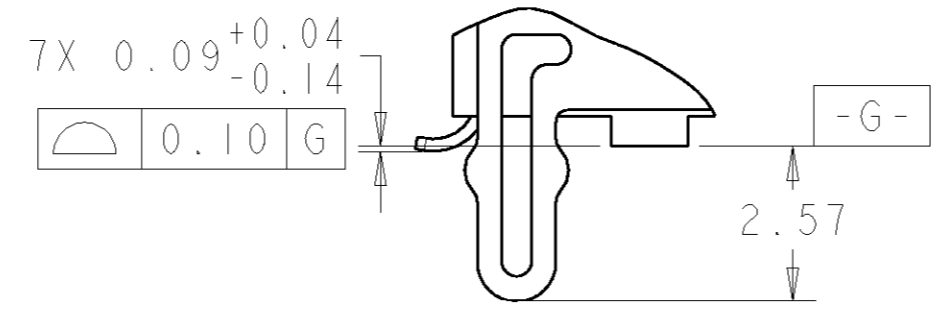
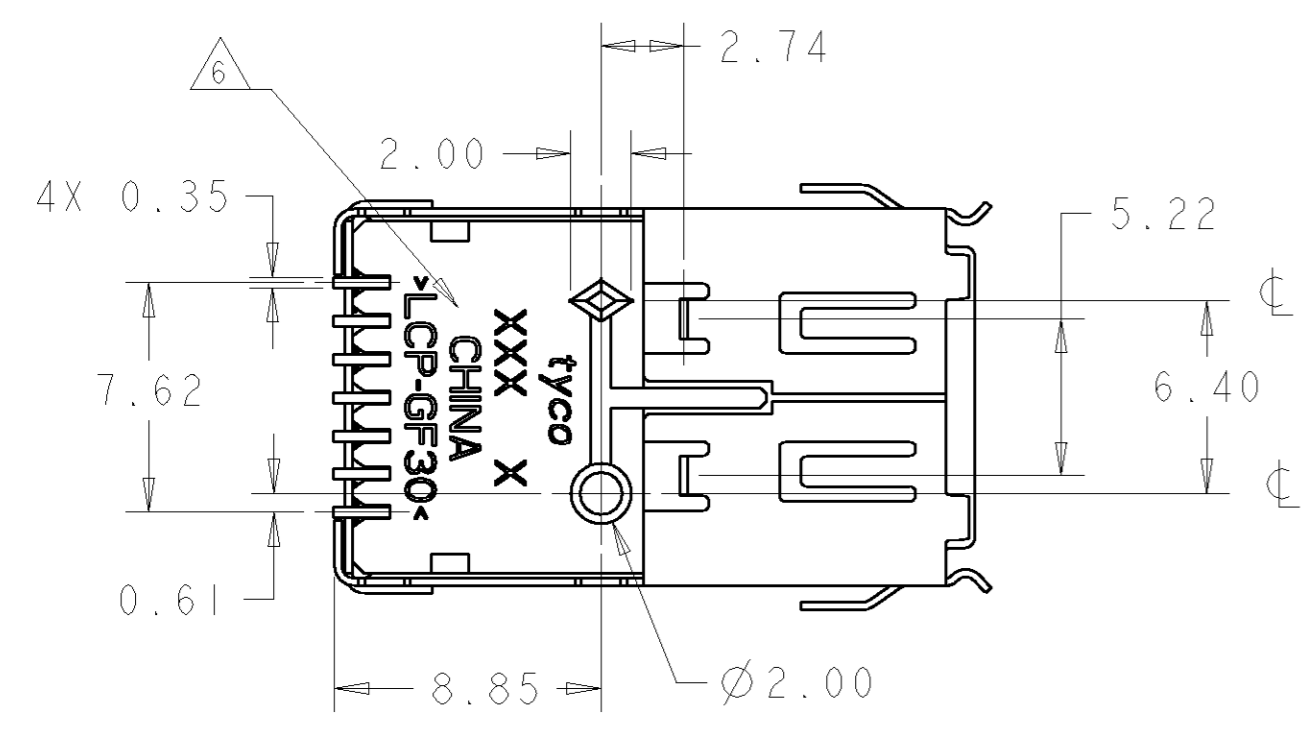
LOC	DIST	REVISIONS			
P	LTR	DESCRIPTION	DATE	DWN	APVD
GP	00	A	RELEASED	17MAR06	BM SS
		A1	REVISED PER ECO-06-018770	04AUG06	BM SS
		A2	REVISED PER ECO-06-029973	28DEC2006	CJV SAS



- 1 INSERT: LCP, UL 94V-0 RATED.
CONTACTS: COPPER ALLOY
SHELL: PHOSPHOR BRONZE.
- 2 CONTACTS: 1.27µm MINIMUM GOLD OVER
3.81µm MINIMUM NICKEL ON MATING END.
3.81µm MINIMUM MATTE TIN OVER
1.27µm MINIMUM NICKEL ON SOLDER TAILS.
SHELL: 3µm MINIMUM TIN OVER
1.27µm MINIMUM NICKEL.
- 3 DATUM AND BASIC DIMENSION ESTABLISHED BY CUSTOMER.
- 4 LOCATION OF STANDOFF CONTACTING THE BOARD.
- 5 PACKAGED TAPE AND REEL
- 6 TYCO LOGO, COUNTRY OF ORIGIN, MATERIAL CODE, BUILDING NUMBER AND MOLD CAVITY ID ARE FROSTED ON THIS SURFACE.



RECOMMENDED
SOLDER STENCIL
LAYOUT
SCALE 5:1



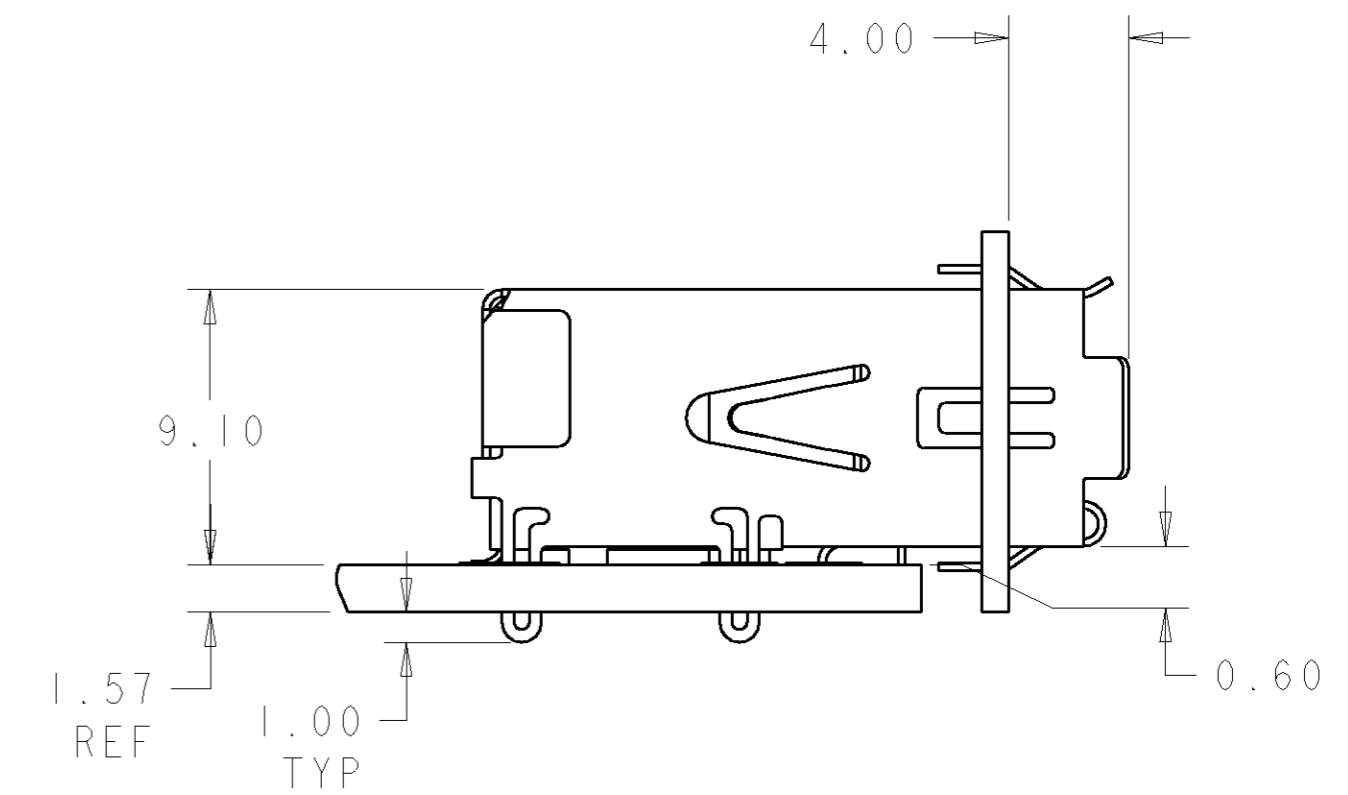
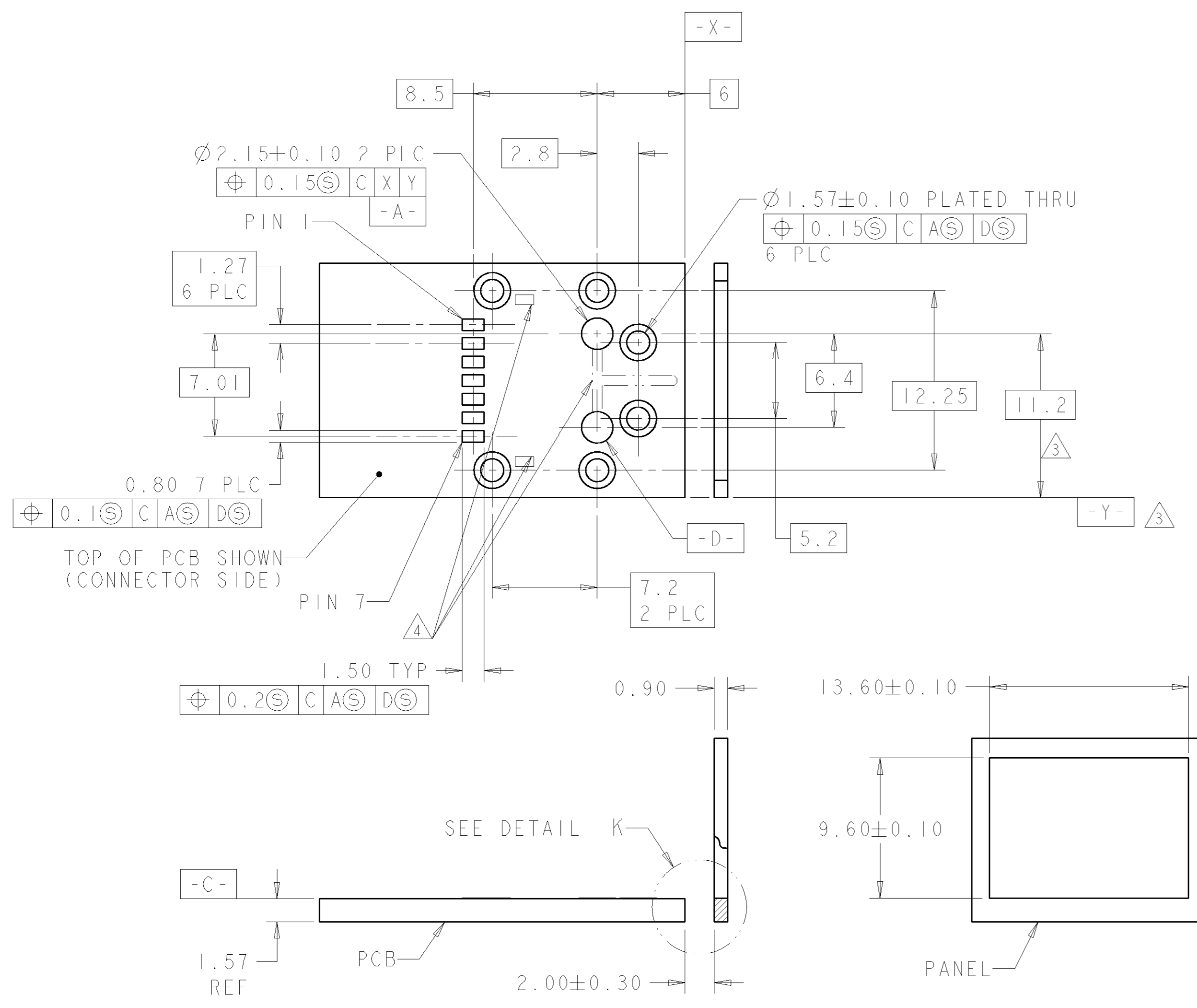
DETAIL J
SCALE 8:1

5	SOLDER TAIL WITH BOARDLOCK	1888372-1
PACKAGING	DESCRIPTION	PART NUMBER

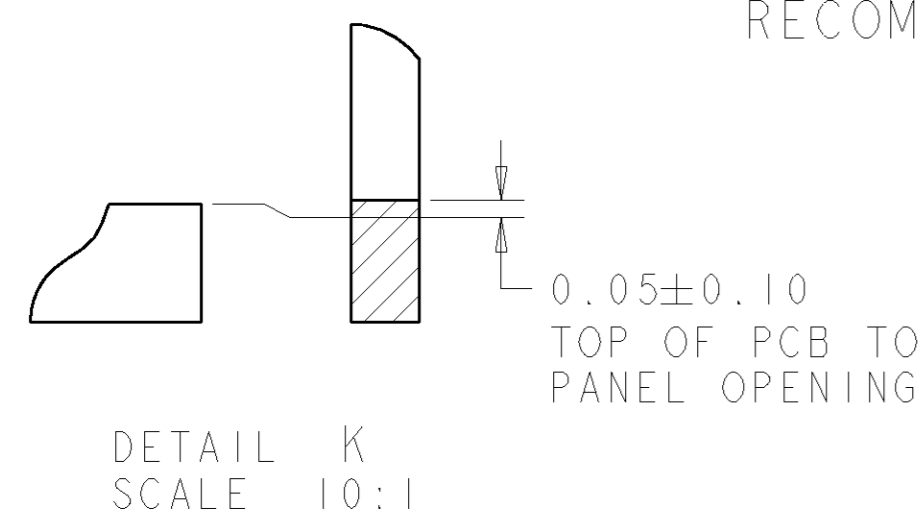
THIS DRAWING IS A CONTROLLED DOCUMENT FOR TYCO ELECTRONICS CORPORATION. IT IS SUBJECT TO CHANGE AND THE CONTROLLING ENGINEERING ORGANIZATION SHOULD BE CONTACTED FOR THE LATEST REVISION.		DWN B. MCMMASTER 17MAR06	Tyco Electronics Harrisburg, PA 17105-3608
DIMENSIONS: mm		CHK S. SHUEY 17MAR06	
TOLERANCES UNLESS OTHERWISE SPECIFIED:		APVD S. SHUEY 17MAR06	
0 PLC ± 1 PLC ± 2 PLC ±0.13 3 PLC ± 4 PLC ± ANGLES ±3° FINISH		NAME RECEPTACLE ASSEMBLY, FIBRE CHANNEL, SURFACE MOUNT, SINGLE ROW, HSSDC2 PRODUCT SPEC 108-1965 APPLICATION SPEC 114-13028 WEIGHT 2.71	SIZE A2 CAGE CODE 00779 DRAWING NO. 1888372 RESTRICTED TO -
MATERIAL 1		CUSTOMER DRAWING	

THIS DRAWING IS UNPUBLISHED. RELEASED FOR PUBLICATION 20
 © COPYRIGHT 20 BY TYCO ELECTRONICS CORPORATION. ALL RIGHTS RESERVED.

LOC	DIST	REVISIONS					
GP	00	P	LTR	DESCRIPTION	DATE	DWN	APVD
		-		SEE SHEET 1			



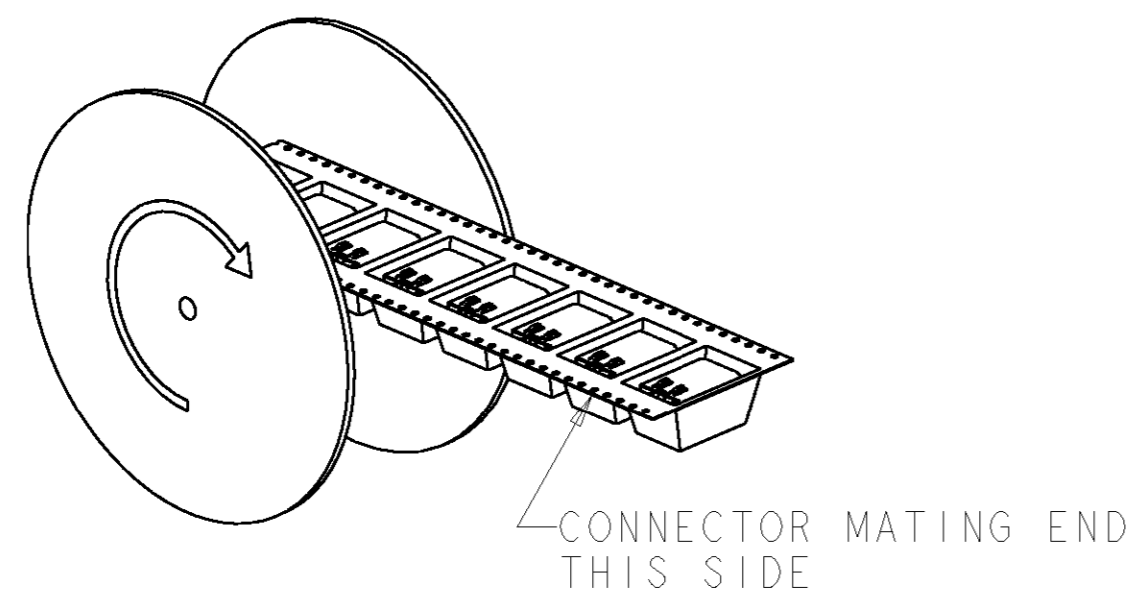
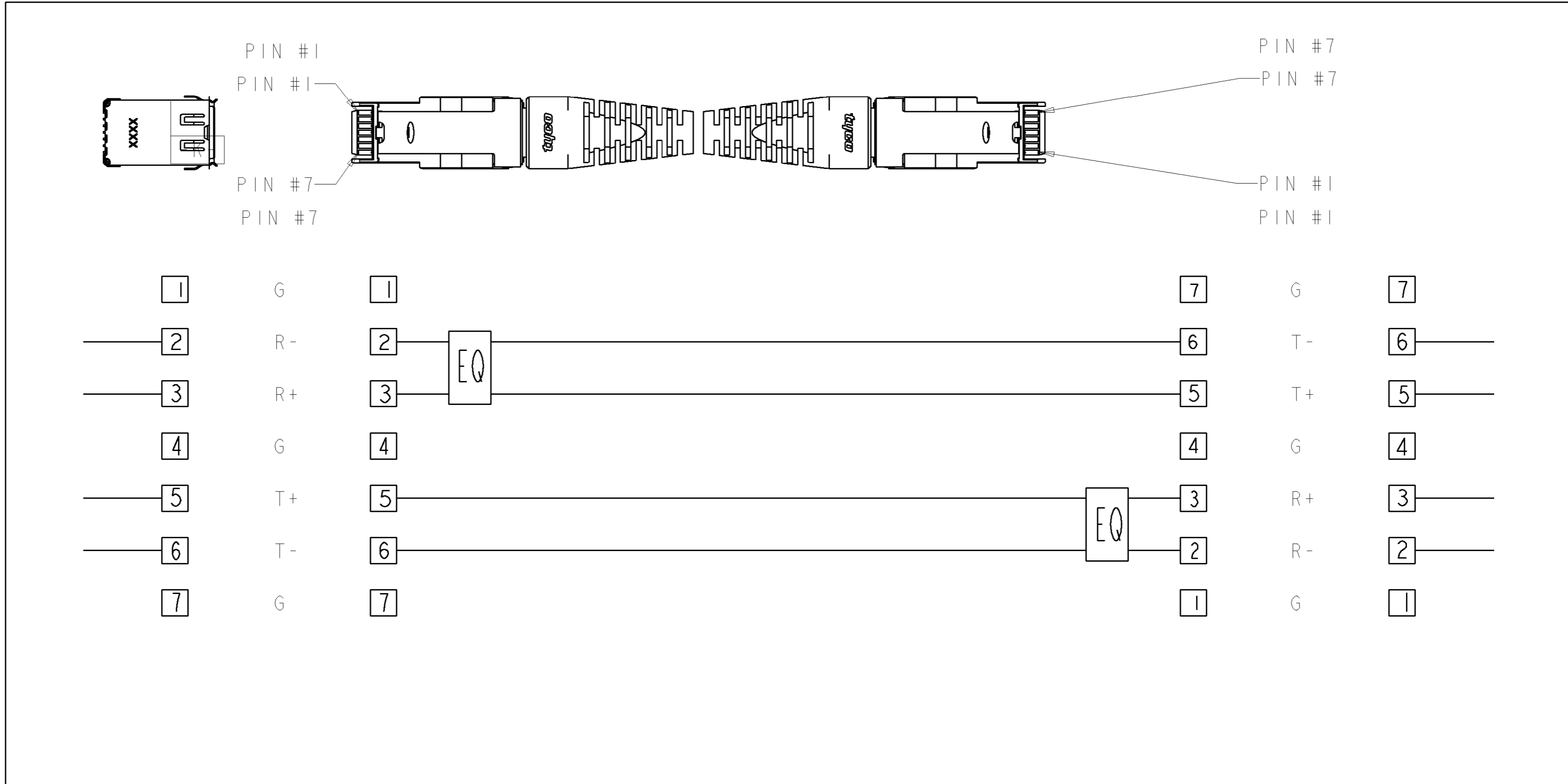
RECOMMENDED PCB AND PANEL LAYOUT
 CONNECTOR SIDE SHOWN



<small>THIS DRAWING IS A CONTROLLED DOCUMENT FOR TYCO ELECTRONICS CORPORATION IT IS SUBJECT TO CHANGE AND THE CONTROLLING ENGINEERING ORGANIZATION SHOULD BE CONTACTED FOR THE LATEST REVISION.</small>		DWN B. MCMASTER 17MAR06 CHK S. SHUEY 17MAR06 APVD S. SHUEY 17MAR06	tyco Electronics Tyco Electronics Harrisburg, PA 17105-3608
DIMENSIONS: mm	TOLERANCES UNLESS OTHERWISE SPECIFIED: 0 PLC ± 1 PLC ± 2 PLC ±0.13 3 PLC ± 4 PLC ± ANGLES ±3° FINISH	PRODUCT SPEC 108-1965 APPLICATION SPEC 114-13028 WEIGHT 2.71	NAME RECEPTACLE ASSEMBLY, FIBRE CHANNEL, SURFACE MOUNT, SINGLE ROW, HSSDC2 SIZE A2 CAGE CODE 00779 C=1888372 DRAWING NO. 114-13028 RESTRICTED TO - SCALE 3:1 SHEET 2 OF 3 REV A2
MATERIAL		CUSTOMER DRAWING	

THIS DRAWING IS UNPUBLISHED. RELEASED FOR PUBLICATION 20
 © COPYRIGHT 20 BY TYCO ELECTRONICS CORPORATION. ALL RIGHTS RESERVED.

LOC	DIST	REVISIONS					
GP	00	P	LTR	DESCRIPTION	DATE	DWN	APVD
		-		SEE SHEET 1			



TAPE AND REEL
 PACKAGING ORIENTATION Δ
 SCALE: NTS

PIN ASSIGNMENTS
 REFERENCE ONLY
 SCALE: NTS

<small>THIS DRAWING IS A CONTROLLED DOCUMENT FOR TYCO ELECTRONICS CORPORATION. IT IS SUBJECT TO CHANGE AND THE CONTROLLING ENGINEERING ORGANIZATION SHOULD BE CONTACTED FOR THE LATEST REVISION.</small>		DWN B. MCMMASTER 17MAR06 CHK S. SHUEY 17MAR06 APVD S. SHUEY 17MAR06	tyco Electronics Tyco Electronics Harrisburg, PA 17105-3608
DIMENSIONS: mm	TOLERANCES UNLESS OTHERWISE SPECIFIED: 0 PLC \pm 1 PLC \pm 2 PLC ± 0.13 3 PLC \pm 4 PLC \pm ANGLES $\pm 3^\circ$ FINISH	PRODUCT SPEC 108-1965 APPLICATION SPEC 114-13028 WEIGHT 2.71	NAME RECEPTACLE ASSEMBLY, FIBRE CHANNEL, SURFACE MOUNT, SINGLE ROW, HSSDC2 SIZE A2 CAGE CODE 00779 DRAWING NO. C-1888372 RESTRICTED TO - SCALE 3:1 SHEET 3 OF 3 REV A2
MATERIAL		CUSTOMER DRAWING	