

# Product Information

## MLX71121

### 300 to 930MHz FSK/FM/ASK Receiver

The MLX71121 is a multi-band, single-channel RF receiver based on a double-conversion super-heterodyne architecture. It can receive FSK and ASK modulated signals. The IC is designed for general purpose applications for example in the European bands at 433MHz and 868MHz or for similar applications in North America or Asia, e.g. at 315MHz or 915MHz.

The receiver's extended temperature and supply voltage ranges make the device a perfect fit for automotive or similar applications where harsh environmental conditions are expected.

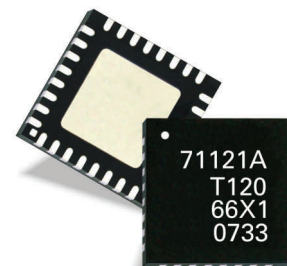


## Features

- Dual RF input for antenna and frequency diversity, LNA cascading or diff. feeding
- Fully integrated PLL-based synthesizer
- 2<sup>nd</sup> mixer with image rejection
- Reception of ASK or FSK modulated signals
- Wide operating voltage and temperature range
- Very low standby current consumption
- Low operating current consumption
- Internal IF Filter
- Internal FSK demodulator
- Average or peak detection data slicer mode
- RSSI output with high dynamic range for signal strength indication
- Output noise cancellation filter
- MCU clock output
- High over-all frequency accuracy
- 32 pin Quad Flat No-Lead (QFN 5x5 Quad)

## Technical Data Overview

- Input frequency ranges: 300 MHz to 470 MHz  
610 MHz to 930 MHz
- Power supply range: 2.1 V to 5.5 V
- Temperature range: -40 °C to +125 °C
- Standby current: 50 nA
- Operating current: 10.0 mA to 11.1 mA
- FSK Input Sensitivity: -107 dBm (433 MHz)
- ASK Input Sensitivity: -112 dBm (433 MHz)
- Internal IF: 1.8 MHz with 300 kHz 3 dB bandwidth
- FM/FSK deviation range: ±10 kHz to ±100 kHz
- Maximum data rate: 100 kbps NRZ, 50 kbps bi-phase code
- Image rejection: 65 dB 1<sup>st</sup> IF (with external RF front-end filter)  
25 dB 2<sup>nd</sup> IF (internal image rejection)
- Spurious emission: < -54 dBm
- Linear RSSI range: > 60 dB
- MCU clock frequency: 2.0 MHz to 3.4 MHz



Small things make a big difference.

Automotive ICs

Hall ICs

Intelligent Drivers  
and Actuators

RF&RFID

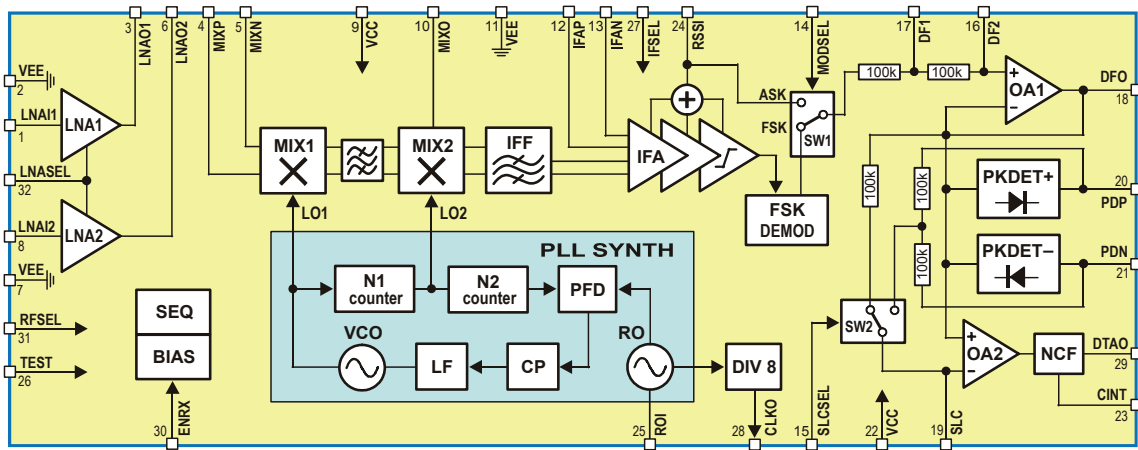
Silicon MEMS

CMOS Imaging

Bus ICs

IR Temperature

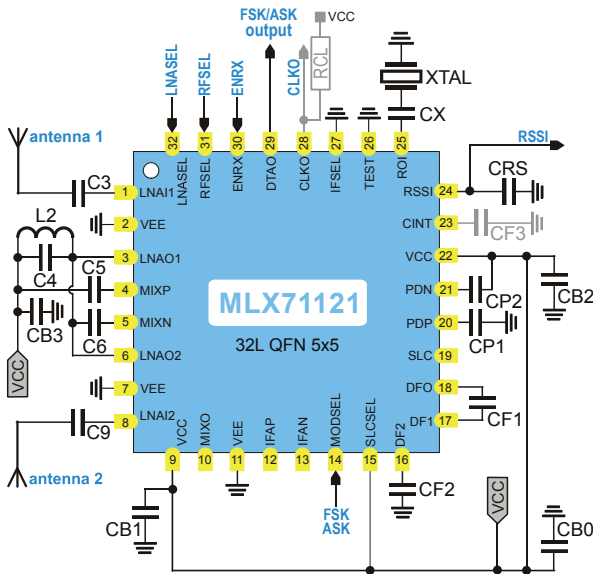
# Block Diagram



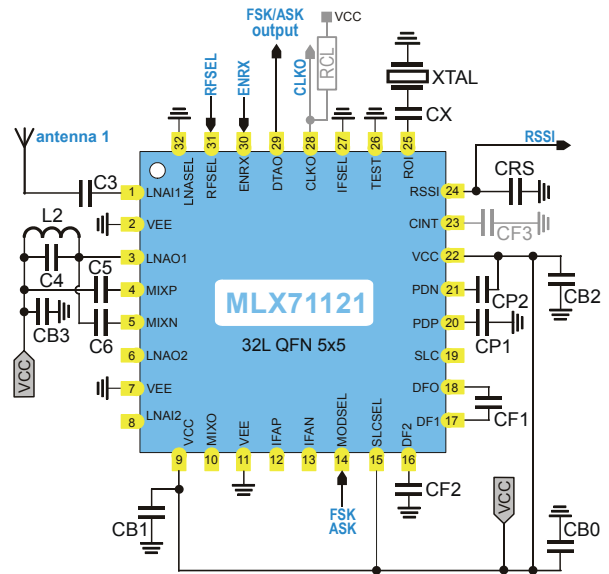
## Applications

- General digital and analog data receiving
- Tire Pressure Monitoring Systems (TPMS)
- Remote Keyless Entry (RKE)
- Wireless access control
- Low-power telemetry systems
- Home and building automation
- Alarm and security systems
- Garage door openers
- Remote controls
- Active RFID tags

## Application Circuits



Dual-Channel Application



Single-Channel Application

### Disclaimer:

Devices sold by Melexis are covered by the warranty and patent indemnification provisions appearing in its Term of Sale. Melexis makes no warranty, express, statutory, implied, or by description regarding the information set forth herein or regarding the freedom of the described devices from patent infringement. Melexis reserves the right to change specifications and prices at any time and without notice. Therefore, prior to designing this product into a system, it is necessary to check with Melexis for current information. This product is intended for use in normal commercial applications. Applications requiring extended temperature range, unusual environmental requirements, or high reliability applications, such as military, medical life-support or life-sustaining equipment are specifically not recommended without additional processing by Melexis for each application. The information furnished by Melexis is believed to be correct and accurate. However, Melexis shall not be liable to recipient or any third party for any damages, including but not limited to personal injury, property damage, loss of profits, loss of use, interrupt of business or indirect, special incidental or consequential damages, of any kind, in connection with or arising out of the furnishing, performance or use of the technical data herein. No obligation or liability to recipient or any third party shall arise or flow out of Melexis' rendering of technical or other services. © 2006 Melexis NV. All rights reserved.

Email Europe and rest of the world:  
sales\_europe@melexis.com

Email USA :  
sales\_usa@melexis.com

Email Asia:  
sales\_asia@melexis.com

For additional information go to our website at:

[www.melexis.com](http://www.melexis.com)

