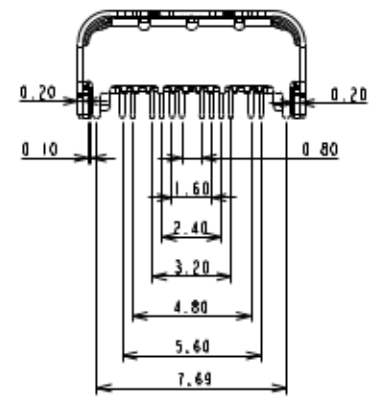
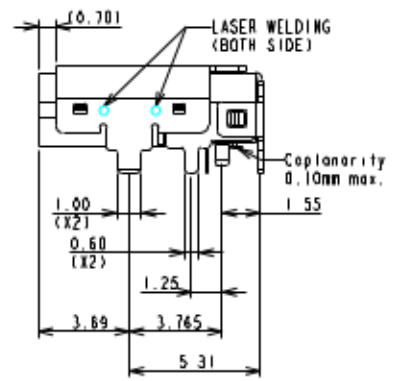
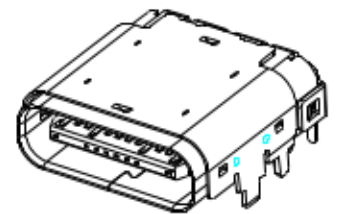
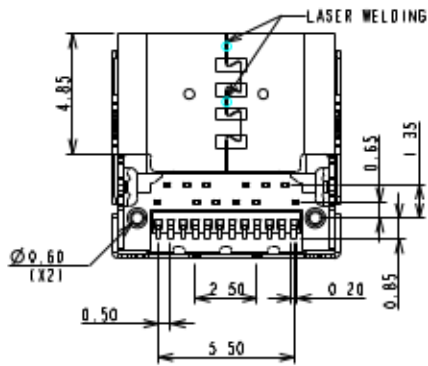
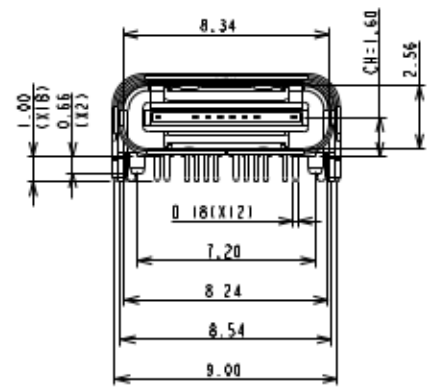
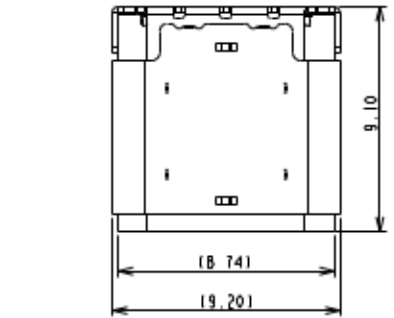


HALOGEN FREE



REV	ECN	DESCRIPTION	DATE	DRAWN	CHECKED	APPROVED
X1	SZECR15428	NEW RELEASE PER NPR14104	09/18/15	Rui Su	Alan Tsai	

TABLE A: PRODUCT NUMBERING CODE  
 C-BR25 - A K X X  
 ① ② ③ ④ ⑤  
 1. CONNECTOR TYPE:  
 BR25: USB TYPE-C RECEPT. R/A CONN  
 2. NO. OF POSITION:  
 A: 24 POSITIONS.  
 3. COLOR OF INSULATOR:  
 K BLACK  
 4. PLATING OF CONTACT  
 1: GOLD FLASH ON CONTACT AREA.  
 5: Au 30u" PLATING ON CONTACT AREA  
 5. PLATING OF FRONT SHELL  
 3: SOLDERING NICKEL

ITEM	NAME	Q'TY	PART #	MATERIAL / FINISH
6	EMI RING	2	H- BR25-C0XXX	METAL / NI PLATED
5	GROUND PLATE	1	H- BR25-G0XXX	METAL / Ni PLATED
4	SHELL	2	S- BR25-X0XXX	METAL / Ni PLATED
3	DOWN-CONTACT	12	T- BR25-20XXX	COPPER ALLOY / Au PLATED
2	UP-CONTACT	12	T- BR25-10XXX	COPPER ALLOY / Au PLATED
1	HALF PRODUCT	2	BR25-AKXXX	HI-TEMP. G.F. 8L94V-D

TABLE B: PIN ASSIGNMENT

PIN NO.	A1	A2	A3	A4	A5	A6	A7	A8	A9	A10	A11	A12
SIGNAL NAME	GND	SSTRp1	SSRn1	VBUS	CC1	Dp1	Dn1	SBU1	VBUS	SSRn2	SSRp2	GND
PIN NO.	B12	B11	B10	B9	B8	B7	B6	B5	B4	B3	B2	B1
SIGNAL NAME	GND	SSRn1	SSRp1	VBUS	SBU2	Dn2	Dp2	CC2	VBUS	SSRp2	SSRn2	GND

CnC Tech, LLC  
 USB TYPE - C 3.1 (10Gbps) CONN RECEPTACLE - TOP MOUNT TYPE  
 C-BR25-AK53  
 BR25 SERIES  
 BR25-00-05

