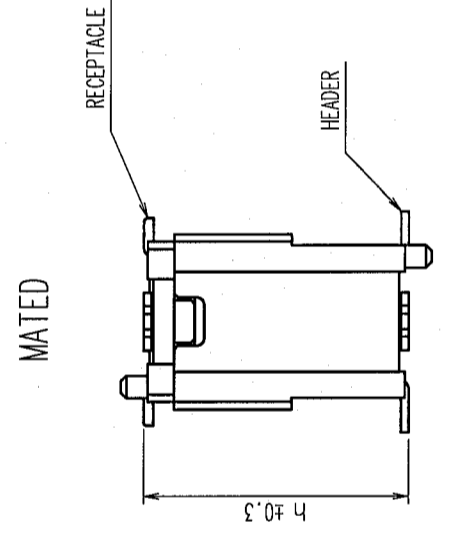
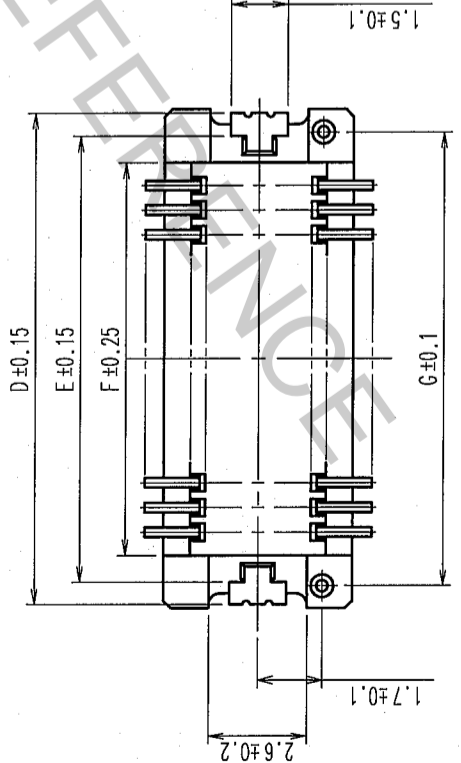
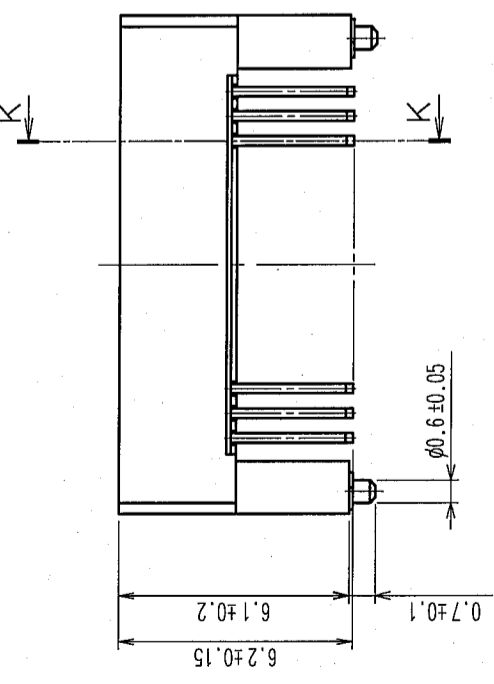
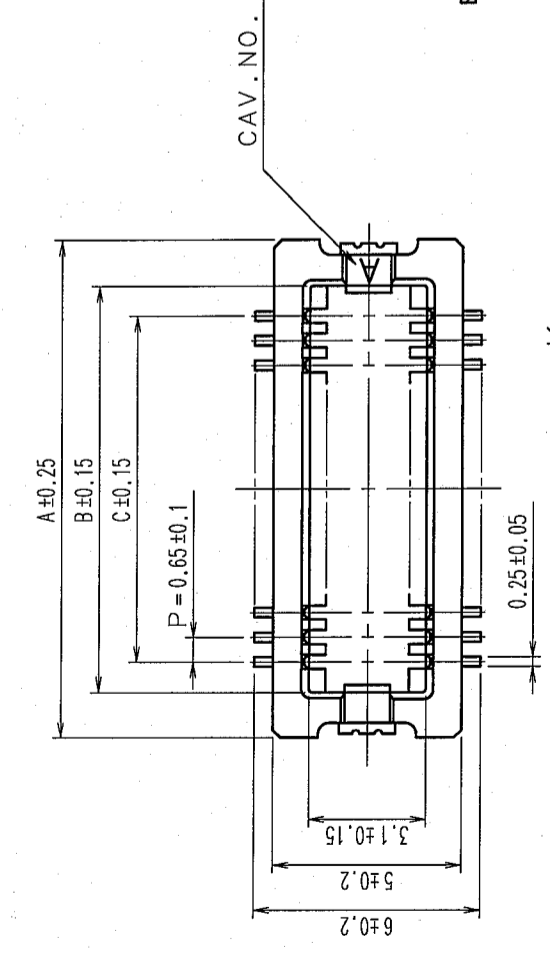
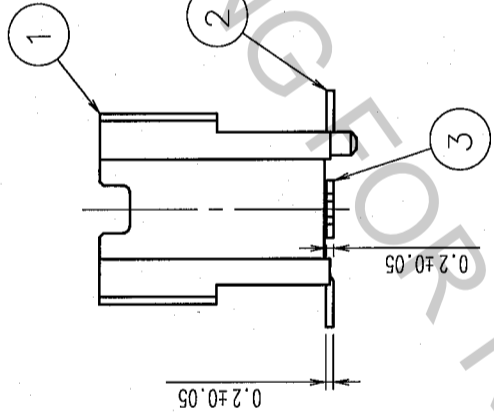
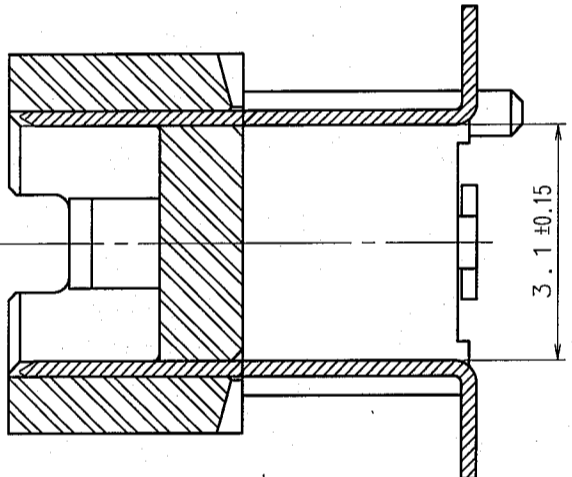


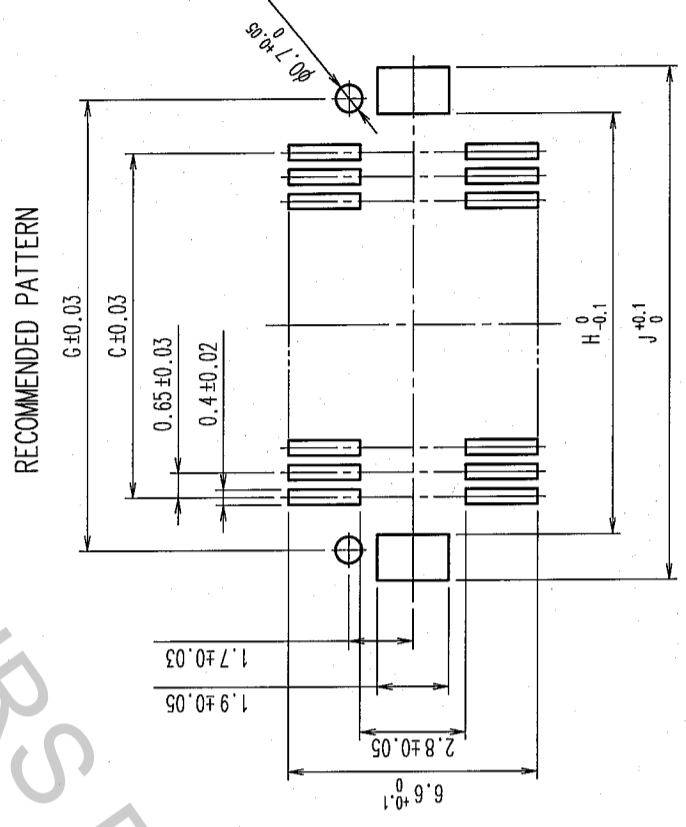
In case that the application demands a high level of reliability, such as automotive, please contact a company representative for further information.

K-K (10:1)



MATED HEIGHT (h)	HEADER NO.	DF15(6.2)-*DP-0.65V(56)
RECEPTACLE NO.	DF15#(0.8)-*DS-0.65V(56)	7
	DF15#(1.8)-*DS-0.65V(56)	8

PART NO.	CODE NO.	CONTACT	A	B	C	D	E	F	G	H	J
DF15(6.2)-20DP-0.65V(56)	CL677-0162-7-56	20	9.85	7.45	5.85	9.65	8.45	7.05	8.65	7.85	10.25
DF15(6.2)-30DP-0.65V(56)	CL677-0163-0-56	30	13.1	10.7	9.1	12.9	11.7	10.3	11.9	11.1	13.5
DF15(6.2)-40DP-0.65V(56)	CL677-0164-2-56	40	16.35	13.95	12.35	16.15	14.95	13.55	15.15	14.35	16.75
DF15(6.2)-50DP-0.65V(56)	CL677-0165-5-56	50	19.6	17.2	15.6	19.4	18.2	16.8	18.4	17.6	20.0



NOTES 1. LEAD CO-PLANARITY INCLUDE REINFORCED METAL FITTINGS SHALL BE 0.1 mm MAX.

NO.	MATERIAL	FINISH, REMARKS	DESIGNED	CHECKED	APPROVED	RELEASED
1	PHOSPHOR BRONZE	CONTACT AREA: GOLD PLATED 0.1 μm min LEAD AREA: TIN PLATED 1 μm min UNDER PLATING: NICKEL PLATED 1 μm min				
2	POLYAMIDE (PA6T)	NATURAL (BEIGE), UL94V-0				
3	BRASS	TIN PLATED 1 μm min UNDER PLATING: NICKEL PLATED 1 μm min				
4	PS	CLEAR (EMBOSSED CARRIER TAPE)				
5	POLYESTER	CLEAR (COVER TAPE)				
6	PS	BLACK (PLASTIC REEL)				

DRAWN	DESIGNED	CHECKED	APPROVED	RELEASED
<i>H. Murakami</i>	<i>M. Takahashi</i>	<i>A. Takahashi</i>	<i>T. Takemura</i>	
DATE: 05.11.21	DATE: 05.11.21	DATE: 05.11.21	DATE: 05.11.21	

DRAWING NO.	EDC3-302781-01
PART NO.	DF15(6.2)-*DP-0.65V(56)
SCALE	5 : 1
UNITS	mm
CODE NO.	CL677

