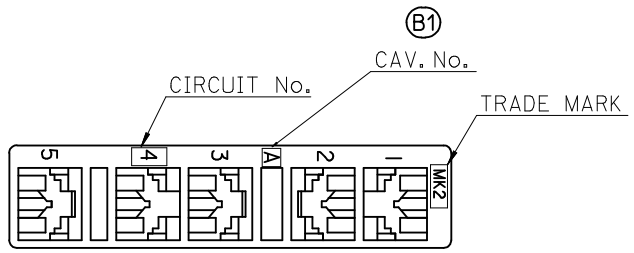
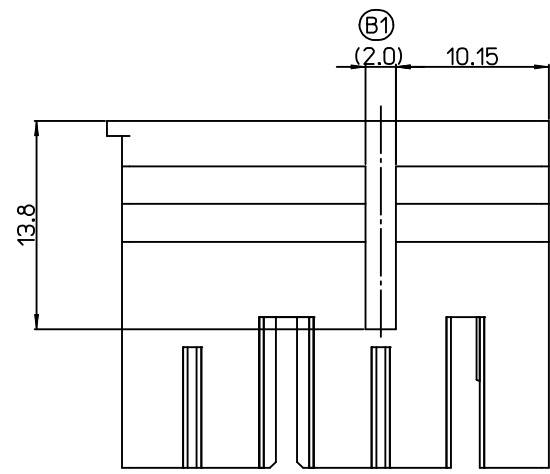
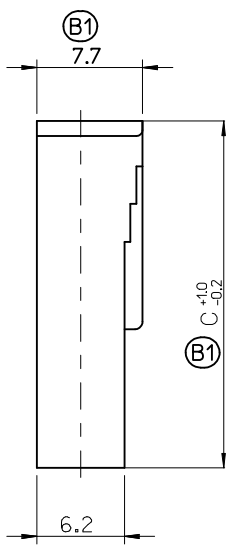
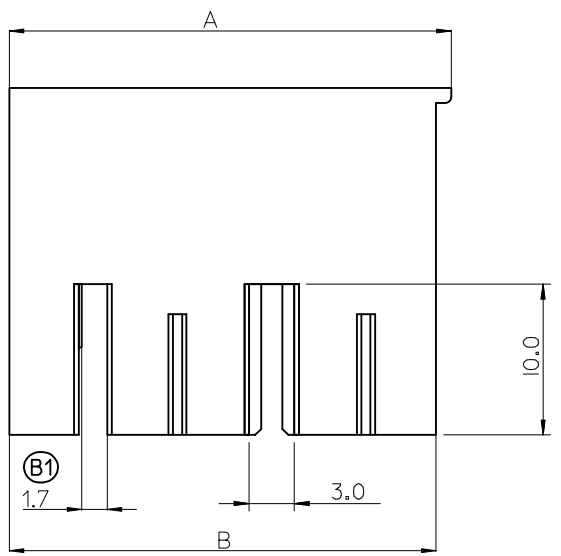
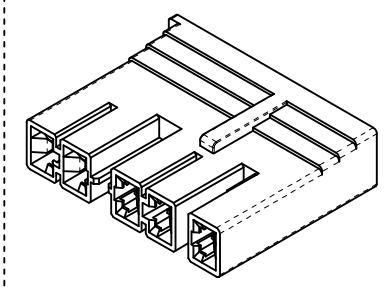


10 9 8 7 6 5 4 3 2 1



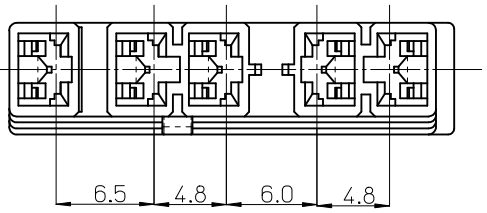
[TABLE] (B1)

MATERIAL NO.	DIMENSION			MATERIAL
	A	B	C	
355060510	29.5	28.5	23.0	POLYESTER
355060519	30.2	28.9	23.4	PET/PC



NOTES

- MATERIAL :
 - ① 35506-0510 : POLYESTER(PBT), NO GLASS FILLED, UL94V-0
COLOR : NATURAL
 - (B1) ② 35506-0519 : PET/PC, NO GLASS FILLED, UL94V-0
COLOR : NATURAL
- PRODUCT SPECIFICATION : PS-35506-001
- PACKING SPECIFICATION : PK-35506-001
- APPLICABLE TERMINAL : 35097-9*12



PRELIMINARY REVISED
 IEC NO: KOR2013-0051
 DRWN: JSSHIN 2012/12/18
 CH'KD: SHCHU 2012/12/18
 APPR: YSK IM02 2012/12/27

QUALITY SYMBOLS
 ▽=0
 ∇=0

GENERAL TOLERANCES (UNLESS SPECIFIED)

	mm	INCH
4 PLACES	± ---	± ---
3 PLACES	± ---	± ---
2 PLACES	± 0.30	± ---
1 PLACE	± 0.30	± ---
0 PLACE	± ---	± ---

ANGULAR ± 3 °
 DRAFT WHERE APPLICABLE
 MUST REMAIN WITHIN DIMENSIONS

DIMENSION STYLE
MM ONLY

DRAWN BY: WY. YANG
 DATE: 1996/06/17

CHECKED BY: BK. CHO1
 DATE: 1996/06/17

APPROVED BY: YSK IM02
 DATE: 2012/12/27

MATERIAL NO. SEE TABLE

SCALE: 3:1
 DESIGN UNITS: METRIC
 THIRD ANGLE PROJECTION

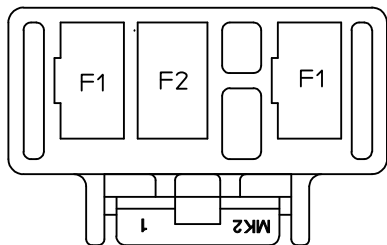
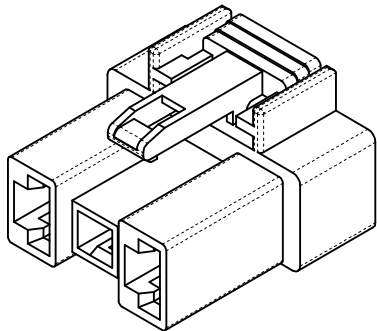
TITLE: .110 MP-LOCK HOUSING -5P (FOR DOOR SWITCH)

molex

DOCUMENT NO. SD-35506-001
 SHEET NO. 1 OF 1

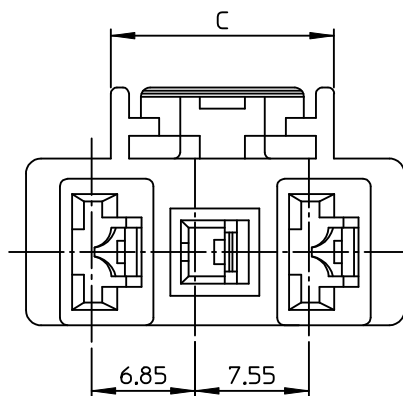
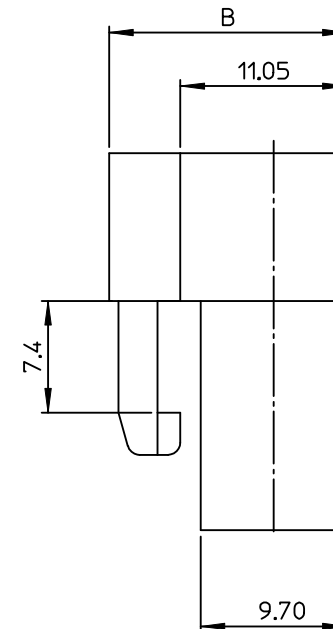
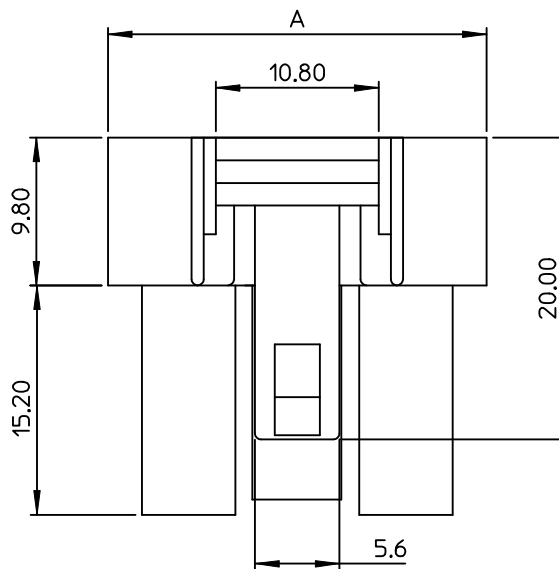
THIS DRAWING CONTAINS INFORMATION THAT IS PROPRIETARY TO MOLEX INCORPORATED AND SHOULD NOT BE USED WITHOUT WRITTEN PERMISSION

9 8 7 6 5 4 3 2 1



F1 TERMINAL : 35725-5*10
 F2 TERMINAL : 35766-0*10

TERMINAL PATTERN



[TABLE] (A1)

MATERIAL NO.	DIMENSION			MATERIAL
	A	B	C	
355470300	25.10	15.75	14.80	POLYESTER
355470309	25.40	16.00	15.10	PET/PC

NOTES

1. MATERIAL :
 ① 35547-0300 : POLYESTER(PBT), NO GLASS FILLED, UL94V-0
 COLOR : NATURAL

(A1) ② 35547-0309 : PET/PC, NO GLASS FILLED, UL94V-0
 COLOR : NATURAL

2. PRODUCT SPECIFICAION : PS-35546-001

3. PACKING SPECIFICAION : PK-35547-001

4. MATED HOUSING : 35546-070*

5. APPLICABLE TERMINAL : 35725-5*10
 35766-0*10

PRELIMINARY REVISED EC NO: KOR2013-0051 DRWN: JSSHIN 2012/12/20 CHKD: SHCHU 2012/12/20 APPR: YSK/INO2 2012/12/27	QUALITY SYMBOLS	GENERAL TOLERANCES (UNLESS SPECIFIED)	DIMENSION STYLE	SCALE	DESIGN UNITS	THIRD ANGLE PROJECTION
	▽=0 ∇=0	mm INCH 4 PLACES ± --- ± --- 3 PLACES ± --- ± --- 2 PLACES ± 0.30 ± --- 1 PLACE ± 0.30 ± --- 0 PLACE ± ±	MM ONLY	4:1	METRIC	
	DESCRIPTION	ANGULAR ± 3 °	DRAWN BY DATE	TITLE		
	REV	DRAFT WHERE APPLICABLE MUST REMAIN WITHIN DIMENSIONS	WY.YANG 1997/11/12	.250 MULTI W-T-W CONN. PLUG HOUSING -3P		
A1		CW.LEE 1997/11/12	MATERIAL NO.	DOCUMENT NO.	SHEET NO.	
			SEE TABLE	SD-35547-001	1 OF 1	
THIS DRAWING CONTAINS INFORMATION THAT IS PROPRIETARY TO MOLEX INCORPORATED AND SHOULD NOT BE USED WITHOUT WRITTEN PERMISSION						

