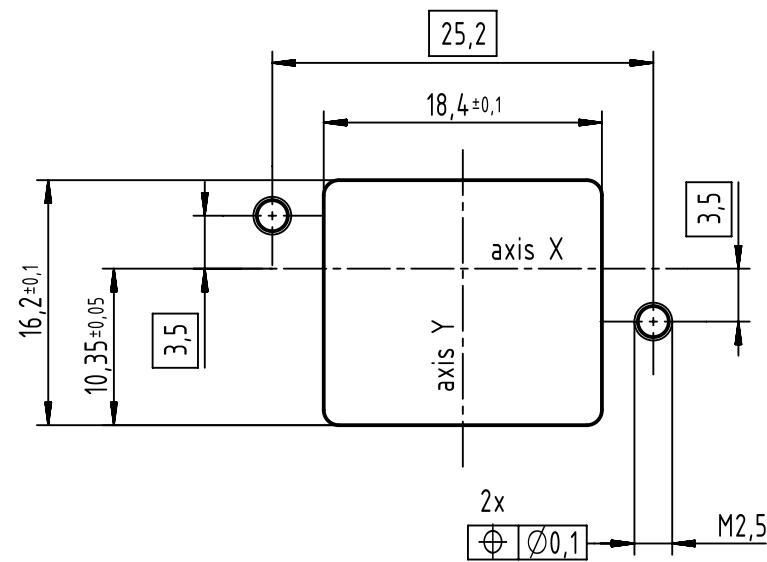
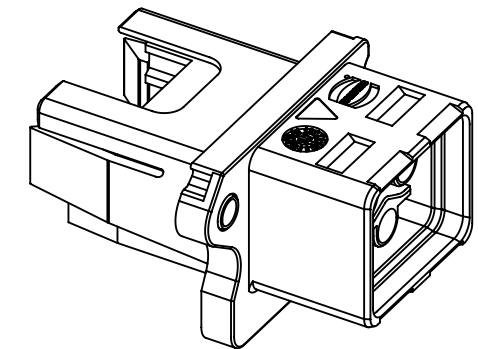
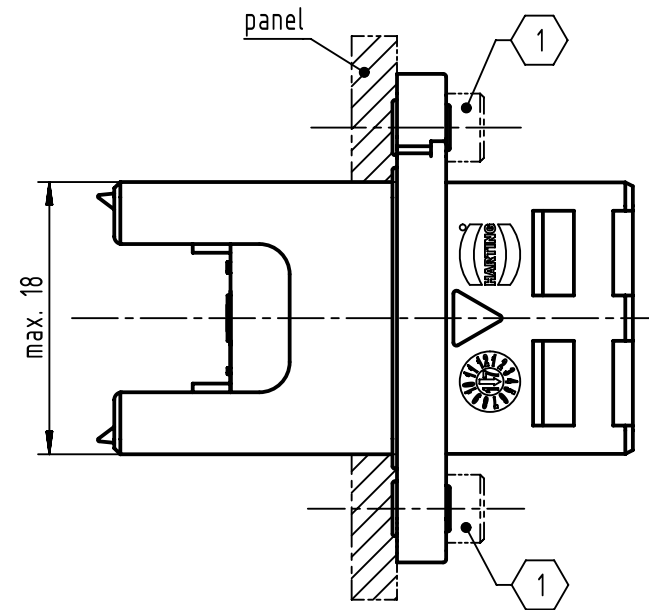


panel cutting



connector pitch on panel:  
axis X = 27mm and axis Y = 21mm

panel thickness = max. 5.5mm



further information see: DS 09466100800

1 2x M2.5; screws acc. to ISO 4762;  
please order separately; bolting torque 0.3Nm - 0.5Nm

	All rights reserved Department EC PD - DE HARTING Electronics GmbH D-32339 Espelkamp	All Dimensions in mm Original Size DIN A3		Scale 2:1	Free size tol.	Ref. Sub.
		Created by HASELOH	Inspected by LUECKEMEIERM	Standardisation KOHLER	Date 2017-04-06	State Final Release
Title <b>HARTING PushPull V4 Compact Housing 250V/16A</b>						Doc-Key / ECM-Nr. 100671798/UGD/000/B 500000117778
Type TB		Number 09462453420			Rev. B	Page 1/1