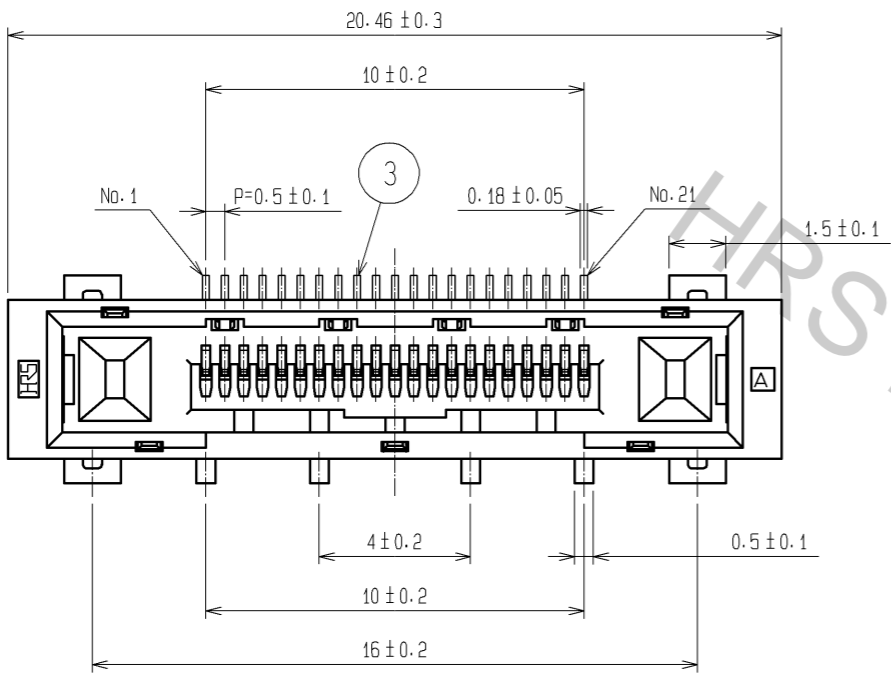
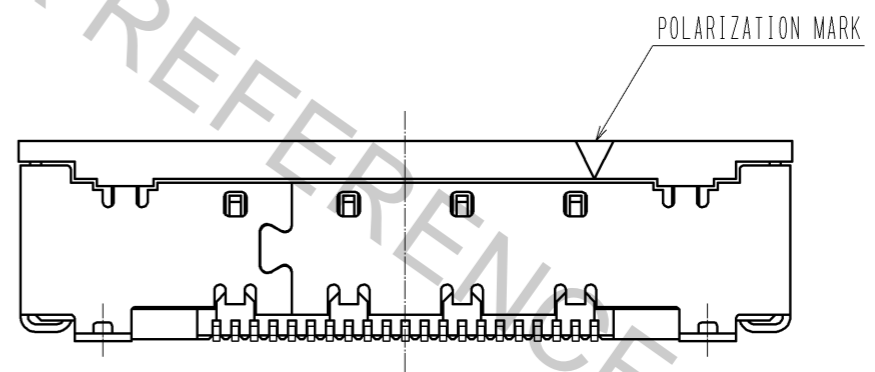
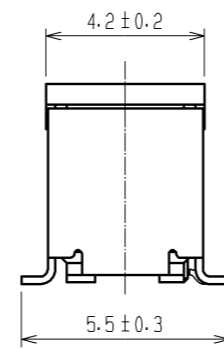
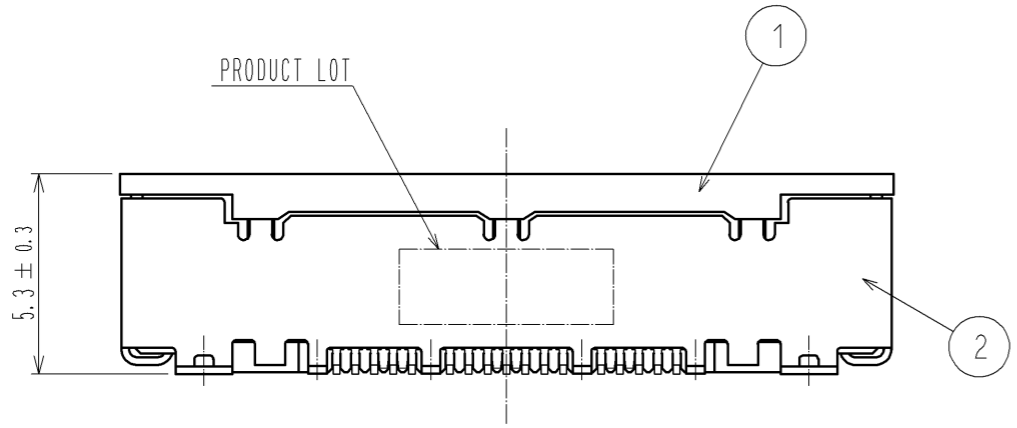
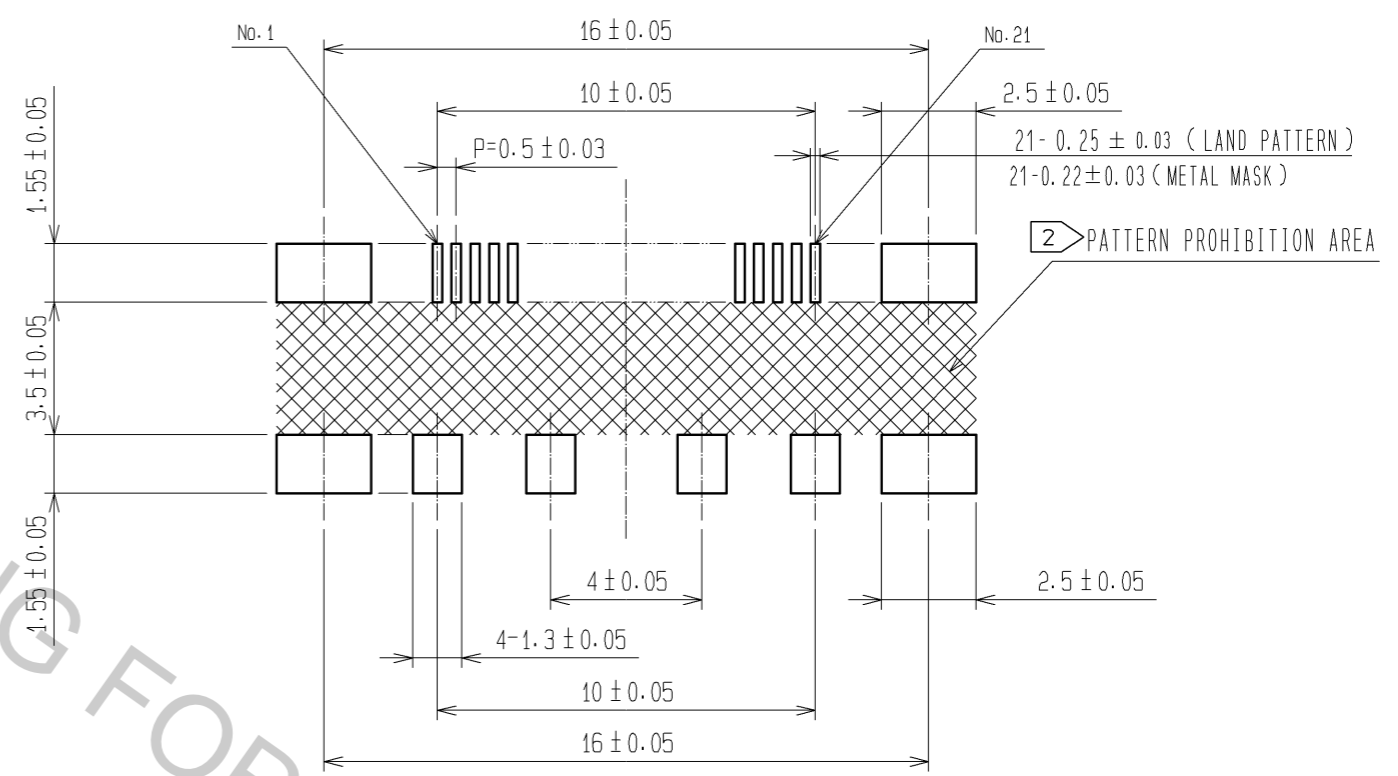


Apr.1.2017 Copyright 2017 HIROSE ELECTRIC CO., LTD. All Rights Reserved.



RECOMMENDED LAND PATTERN DIMENSION

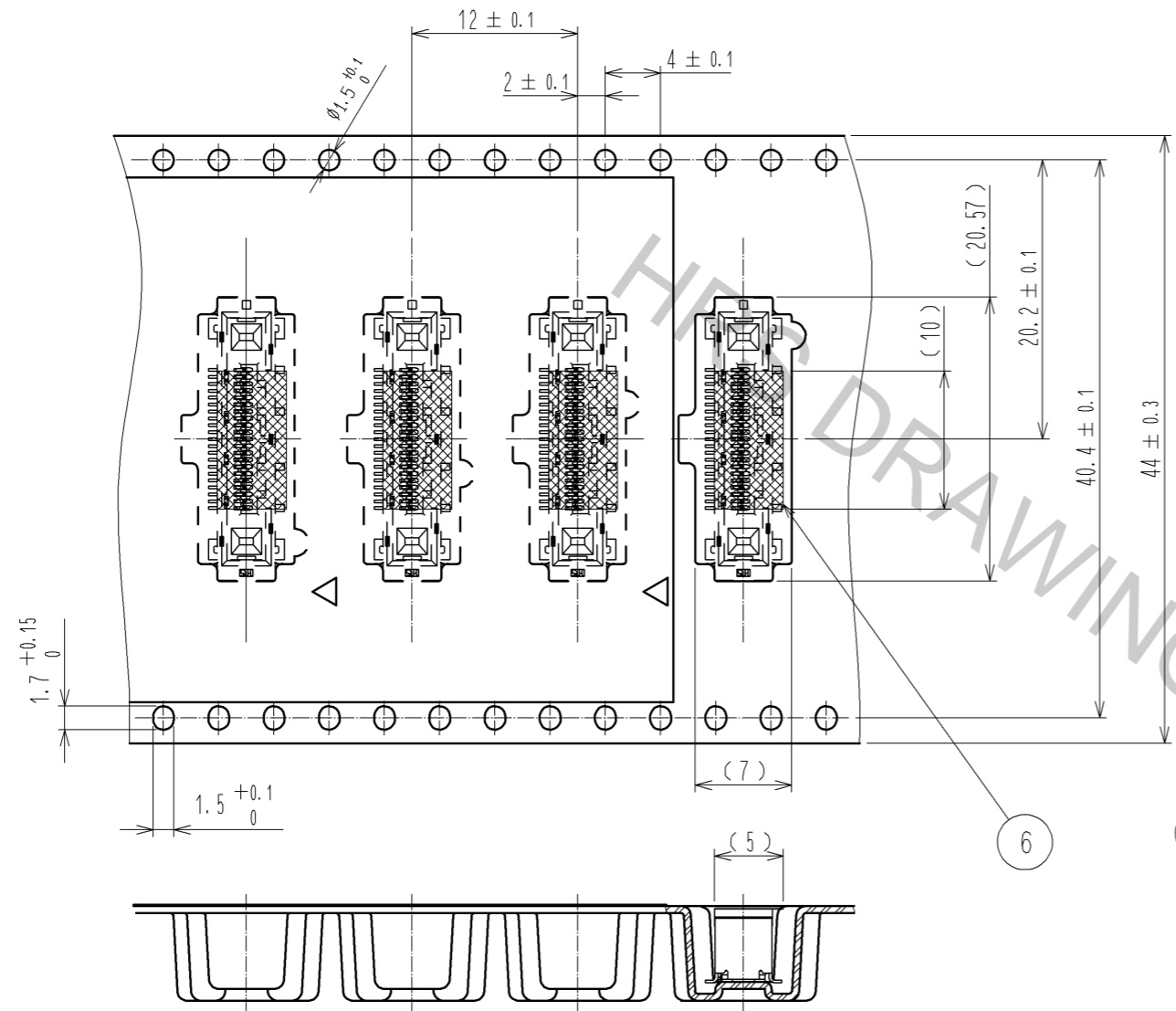
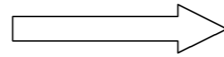


- NOTE 1 LEAD CO-PLANARITY OF THIS PRODUCT TO BE 0.1MAX.  
 2 AREA OF INNER SMT LAND REQUIRES PATTERN PROHIBITION OR RESIST TREATMENT TO PREVENT THE PATTERN TOUCHING TO THE CONTACTS.  
 3 ( ) INDICATES A REFERENCE DIMENSION.  
 4 MANUFACTURING PROCESS COULD LEAVE SCRATCH AND/OR PUNCH MARKS HAVING NO AFFECT ON THE PRODUCT PERFORMANCE.  
 5 PACKAGING FOR THIS PRODUCT APPLIES EMBOSSED CARRIER TAPE PACKAGING. SEE SHEET 2/2 FOR DETAILS.

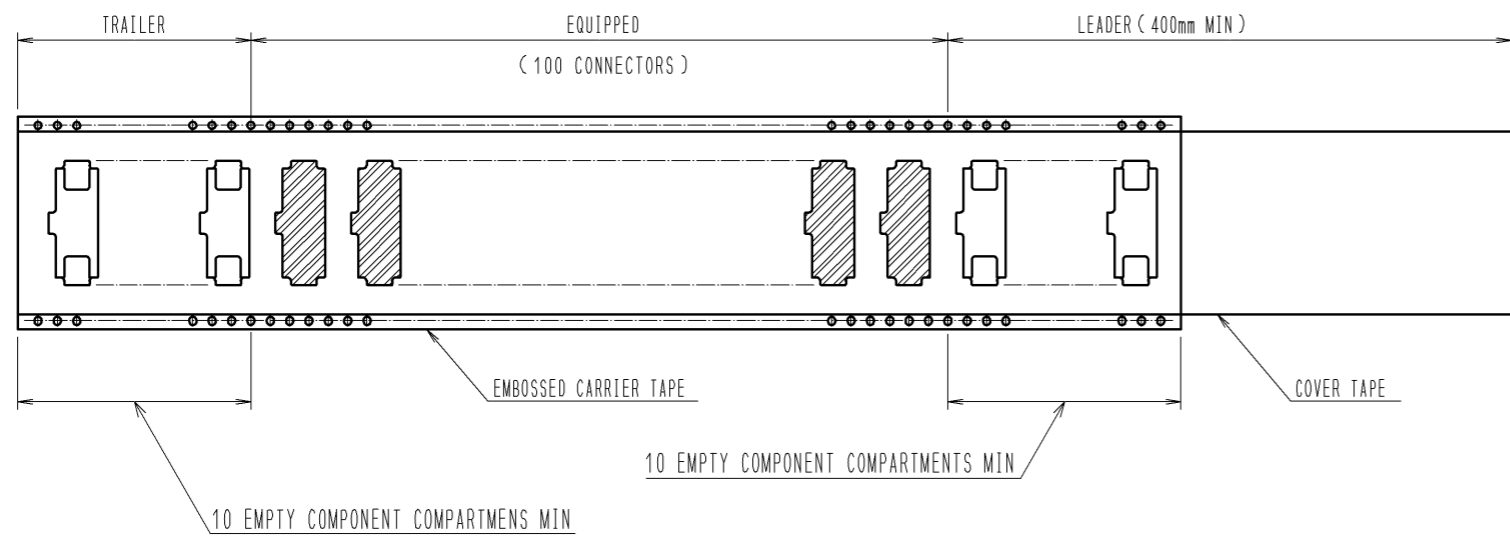
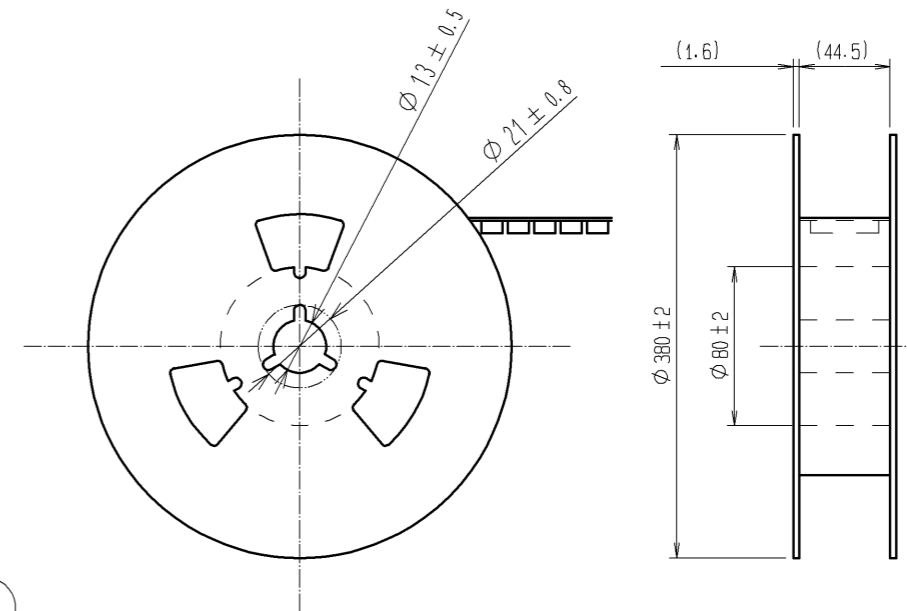
				6	PI	(TAPE FOR VACUUM PICK UP)
				5	PE	(COVER TAPE)
3	PHOSPHOR BRONZE	CONTACT AREA : GOLD 0.1 μm min		4	PS	(EMBOSSED CARRIER TAPE)
		LEAD AREA : GOLD 0.03 μm min		2	PHOSPHOR BRONZE	OVER PLATING : TIN PLATING 1 μm min
		UNDER PLATING : NICKEL 1 μm min				UNDER PLATING : NICKEL 0.2 μm min
1	LCP	BLACK. UL94V-0				
NO.	MATERIAL	FINISH . REMARKS	NO.	MATERIAL	FINISH . REMARKS	
UNITS		SCALE	COUNT	DESCRIPTION OF REVISIONS		DESIGNED
mm		5 : 1				CHECKED
		APPROVED : HS. OKAWA	11.09.15	DRAWING NO.		EDC3-157329-02
HIROSE ELECTRIC CO., LTD.		CHECED : HT. YAMAGUCHI	11.09.15	PART NO.		FX16-21S-0.5SV(30)
		DESIGNED : TS. MIYAKI	11.09.15	CODE NO.		CL575-3401-1-30
		DRAWN : TS. MIYAKI	11.09.15			1/2

DRAWING FOR PACKING (2:1)

THE DIRECITON OF PULLING OUT



REELED DIMENSION ( FREE )



<b>HRS</b>	DRAWING NO.	EDC3-157329-02
	PART NO.	FX16-21S-0.5SV<30>
	CODE NO.	CL575-3401-1-30
		$\triangle$ 2/2