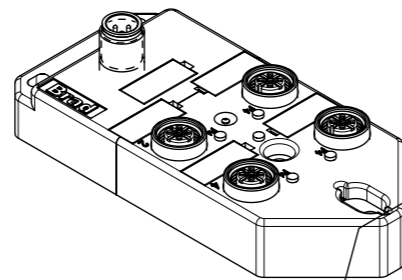
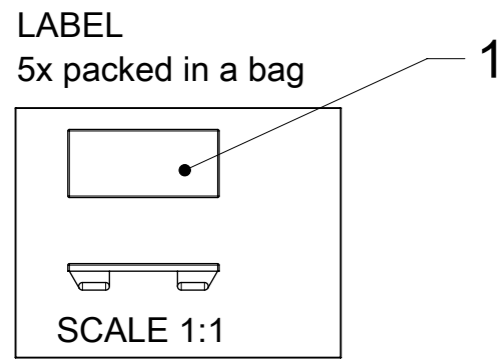
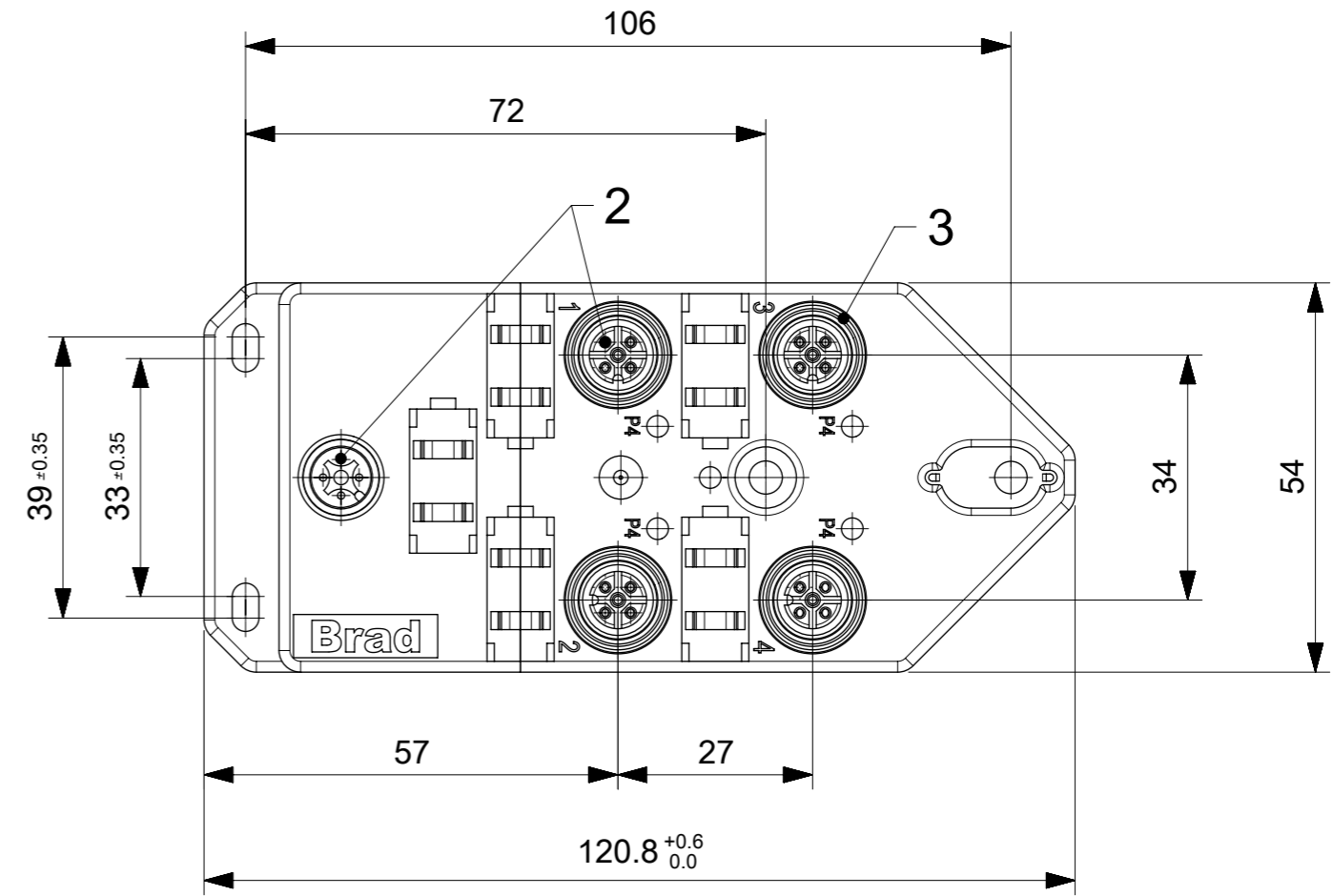


TABLE 1

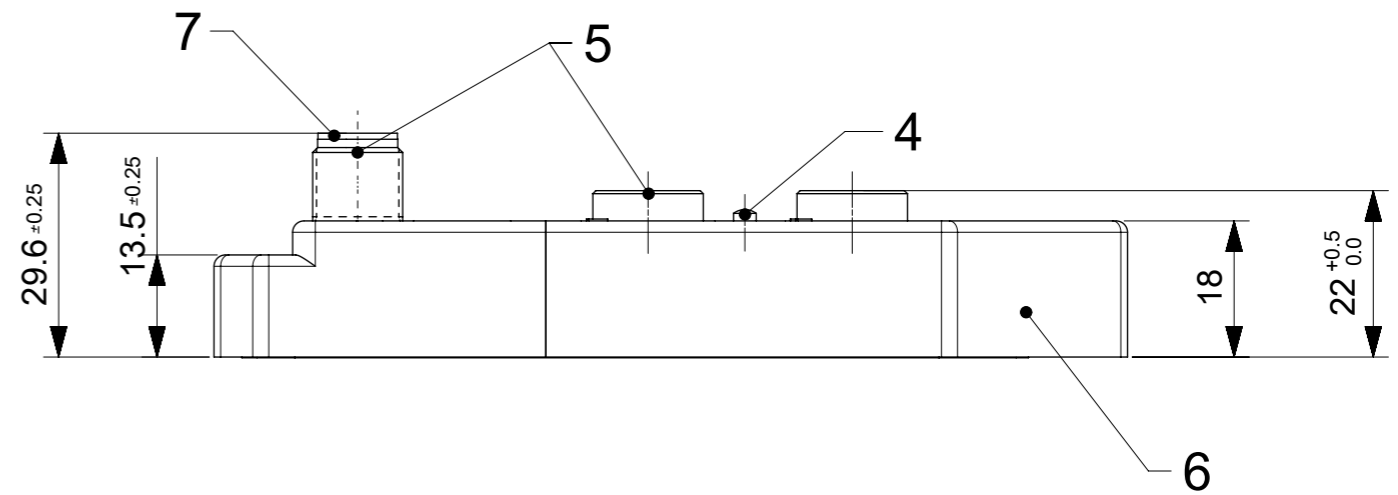
MOLEX P/N	ENG. NO.
1202480520	BTR4300-FBF

TABLE 2 BILL OF MATERIAL

ITEM	DESCRIPTION	MATERIAL	FINISH
1	LABEL	ABS	WHITE
2	CONTACT	BRASS	GOLD OVER NICKEL
3	O-RING	FPM	RED
4	LED	PA	RED
5	SHELL	BRASS	NICKEL PLATED
6	HOUSING	PBT	RED
7	INSERT	PUR	BK



PRE-RELEASE
REFERENCE
USE ONLY



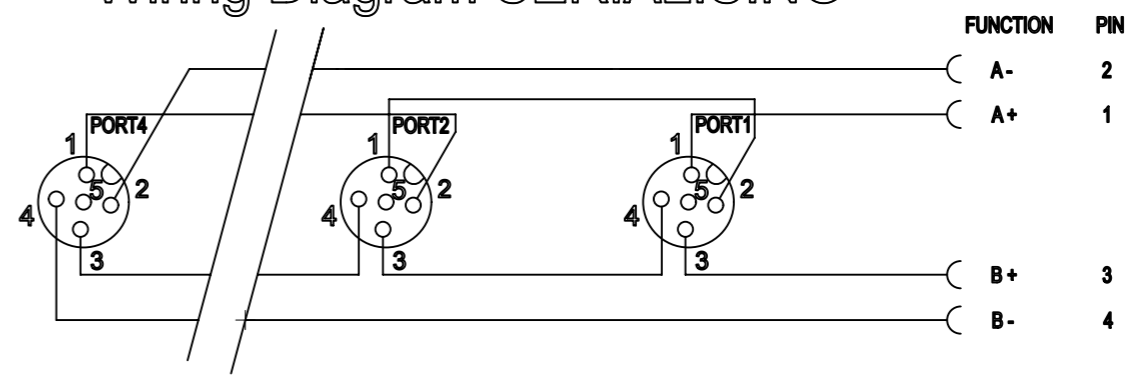
GENERAL CHARACTERISTICS: SCALE 1:2

ELECTRICAL AND MECHANICAL DATA ACC. TO IEC 61076-2-101

NOMINAL VOLTAGE: 10-30 V DC
 AMPERE RATING: 4 A PER PORT / 12 A MAX
 AMPERE RATING WITH UL REGISTRATION: 3 A PER PORT / 9 A MAX
 IP DEGREE OF PROTECTION: IP 67
 TEMPERATURE RANGE: -25°C to + 85°C

THIS DRAWING CONTAINS INFORMATION THAT IS PROPRIETARY TO MOLEX INCORPORATED AND SHOULD NOT BE USED WITHOUT WRITTEN PERMISSION												
EC DESCRIPTION EC NO: 103597 DRWN: SMORADICHARG 2016/03/17 CHK'D: APP: RSILLER 2016/03/18	QUALITY SYMBOLS	GENERAL TOLERANCES (UNLESS SPECIFIED)		DIMENSION UNITS	SCALE							
	▽ = 0	ANGULAR TOL ± °		MM	1:1							
	▽ = 0	4 PLACES ±	DRWN BY		DATE	MPIS M12 SAFETY NOS 5P 4PT AC FE 4P MA AC RD STA SINGLE						
	▽ = 0	3 PLACES ±	ULETTENMEIER		2015/04/28							
▽ = 0	2 PLACES ±	CHK'D BY		DATE	PRODUCT CUSTOMER DRAWING							
▽ = 0	1 PLACE ±	RSILLER		2015/12/23								
▽ = 0	0 PLACES ± 0.25	APPR BY		DATE	SERIES	MATERIAL NUMBER	CUSTOMER					
□ = 0	DRAFT WHERE APPLICABLE MUST REMAIN WITHIN DIMENSIONS		DRAWING SIZE		THIRD ANGLE PROJECTION	120248	SEE TABLE 1	GENERAL MARKET				
▽ = 0			A3			DOCUMENT NUMBER		DOC TYPE	DOC PART	SHEET NUMBER		
A1						1202480520	PSD	000	1 OF 2			

Wiring Diagram SERIALISING



THIS DRAWING CONTAINS INFORMATION THAT IS PROPRIETARY TO MOLEX INCORPORATED AND SHOULD NOT BE USED WITHOUT WRITTEN PERMISSION

EC DESCRIPTION EC NO: 103597 DRWN: SMORADICHARG 2016/03/17 CHK'D: APPR: RSILLER 2016/03/18	QUALITY SYMBOLS	GENERAL TOLERANCES (UNLESS SPECIFIED)	DIMENSION UNITS	SCALE					
	▽ = 0 ▽ = 0 ▽ = 0 ▼ = 0 ▽ = 0 ☒ = 0 ■ = 0 ▽ = 0	ANGULAR TOL ± ° 4 PLACES ± 3 PLACES ± 2 PLACES ± 1 PLACE ± 0 PLACES ± 0.25 DRAFT WHERE APPLICABLE MUST REMAIN WITHIN DIMENSIONS	MM DRWN BY: ULETTENMEIER DATE: 2015/04/28 CHK'D BY: DATE: APPR BY: RSILLER DATE: 2015/12/23 DRAWING SIZE: A3 THIRD ANGLE PROJECTION	1:1 DRWN BY: ULETTENMEIER DATE: 2015/04/28 CHK'D BY: DATE: APPR BY: RSILLER DATE: 2015/12/23 DRAWING SIZE: A3 THIRD ANGLE PROJECTION					MPIS M12 SAFETY NOS 5P 4PT AC FE 4P MA AC RD STA SINGLE
	PRODUCT CUSTOMER DRAWING					SERIES	MATERIAL NUMBER	CUSTOMER	
						120248	SEE TABLE 1	GENERAL MARKET	
	A1					DOCUMENT NUMBER	DOC TYPE	DOC PART	SHEET NUMBER
					1202480520	PSD	000	2 OF 2	