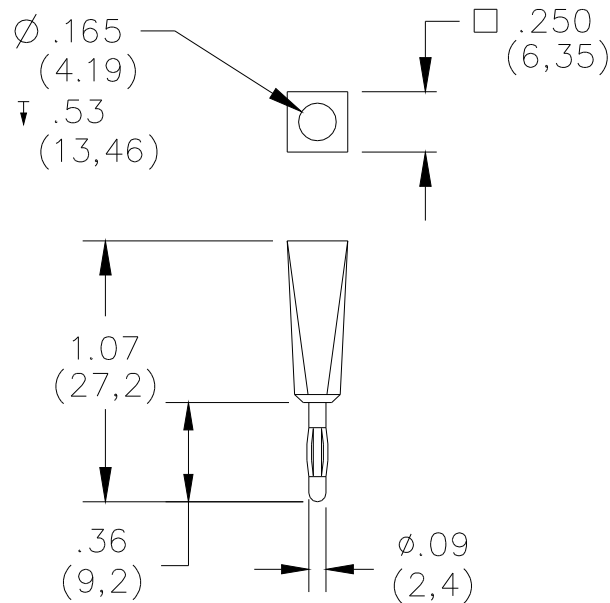


Model 5936
Do-It Yourself Solder Type 2mm Banana Plug



FEATURES:

- Threaded two-piece design allows wires to be soldered to the banana plug.
- Beryllium Copper spring offers long insertion life.
- Compatible with 18 to 22 AWG wire.

MATERIAL:

Banana Plug:
Body - Brass, Nickel Plated
Spring - Beryllium Copper, Nickel Plated
 Insulator: Nylon

RATINGS:

Operating Voltage: 500 VRMS
 Current: 5 Amperes

ORDERING INFORMATION: Model 5936-*

* = Color, Standard Colors: -0 Black, -2 Red

USA: Sales: 800-490-2361 Technical Support: 800-241-2060 Fax: 888-403-3360

Europe: 31-(0) 40 2675 150 **International:** 425-446-5500
 e-mail: technicalsupport@pomonatest.com

Where to Buy: www.pomonaelectronics.com

All dimensions are in inches. Tolerances (except noted): .xx = ±.02" (.51 mm), .xxx = ±.005" (.127 mm). All specifications are to the latest revisions. Specifications are subject to change without notice. Registered trademarks are the property of their respective companies.