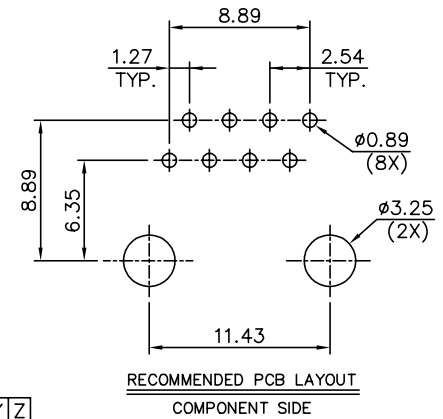
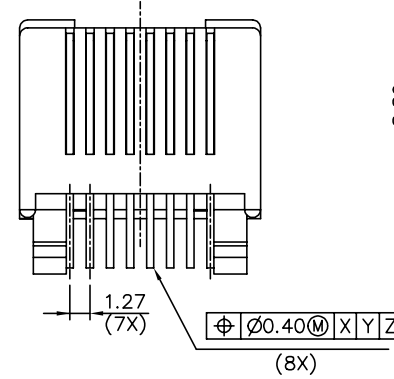
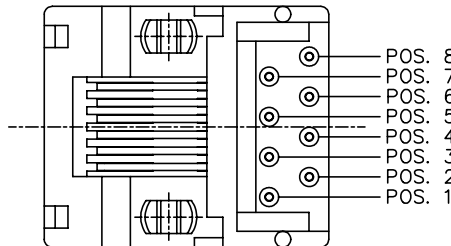
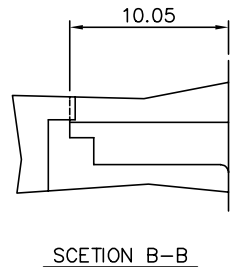
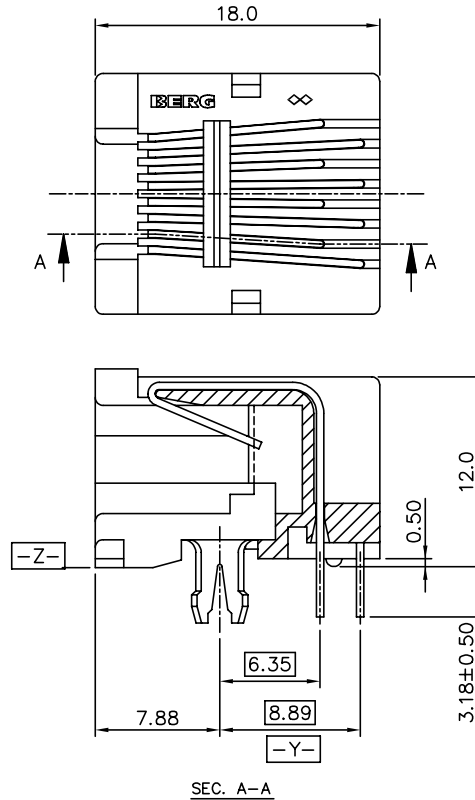
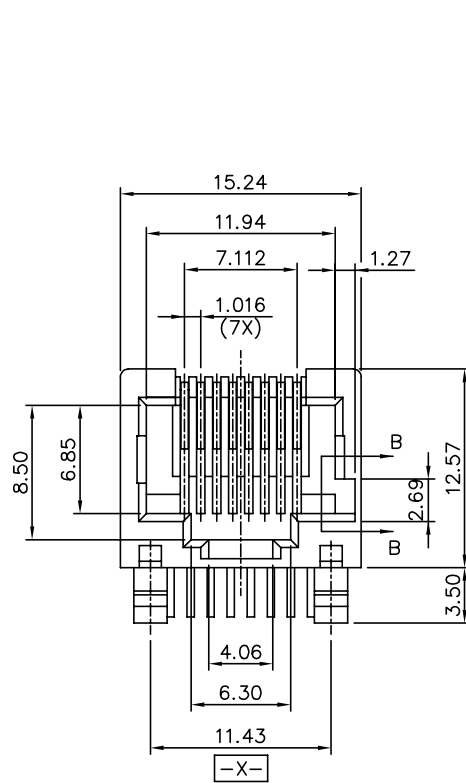


PART NO.	NO. OF POSITION	LOADED POSITION	CONTACTS PLATING
74591-088	8	ALL	5u" Au + high performance lubricant
74591-388			5u" Au + high performance lubricant
74591-588			50u" GXT

NOTES:

1. RECOMMENDED PCB THICKNESS 1.6mm.
2. HOUSING MAT'L: NYLON 66, 25% GLASS REINFORCED, UL 94V-0, COLOR BLACK.
3. CONTACTS: PHOSPHOR BRONZE ALLOY UNS-C51000, $\phi 0.46$ ROUND WIRE. PLATING: SEE TABLE.
4. PROTRUDED SHELF ONLY APPEARS ON 8 POS. JACK.
5. PACKAGING SPEC.: GES-14-361(USE TUBE).
6. EQUIVALENT THICKNESS Au AND GXT PLATING HAVE SAME FUNCTION AND THEY ARE ALTERNATIVE BY THE CUSTOEMR.



mat'l. code		surface ISO1302 ✓	tolerance ISO1101 ISO406	projection 	product family MOD JACK
l trechn nodr date		tolerances unless otherwise specified		title	
A	T05074 MW	11/06/00	0.X±0.3	mm	04/13/98
B	ELX-N-010706SH MMD	3/14/12	0.XX±0.15	scale 2.0	HORZ MOD JACK, FOR 1.6MM P.C.B.
dr		CATHY LIN	04/13/98	dwg no sheet 1 of 1 size	
engr		TONY CHIEN	04/13/98	74591 A4	
chr		TONY CHIEN	04/13/98	type Product Customer Drawing	
appd		JENN TSAO	04/13/98		
sheet index	revision	B			
	sheet	1			