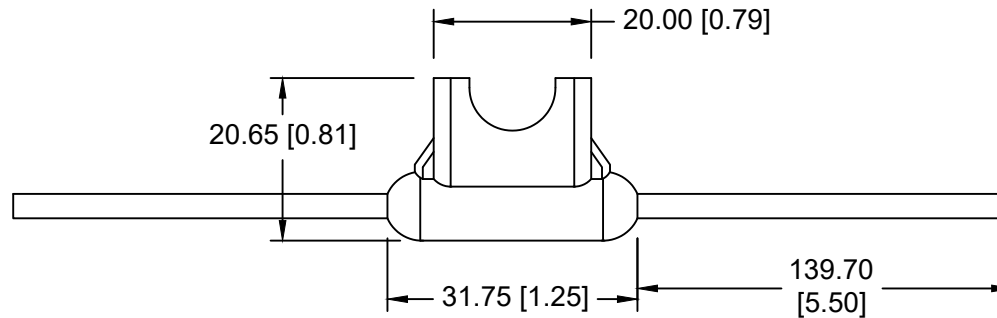



Date	SYM	REVISION RECORD	AUTH	DR.	CK.
01/19/18	A	UPDATED SPECIFICATION	T.B.	B.S.	



HEAVY DUTY TYPE

NOTES:

- MATERIAL:**
HOUSING : PVC ,UL94V-0, FILE NO. E174939
- WIRE:** RED WIRE, 16 AWG, UL 1015, 600V, 105°C,
FLAME RATED VW-1, UL FILE NO. E193578 OR ENGINEERING
APPROVED EQUIVALENT
- RATED CURRENT:** 30A
- ACCEPTS ATM/ASP FUSES**
- INSULATION RESISTANCE AT 500V DC:** 100MΩ MIN
- CONTACT RESISTANCE:** 5mΩ AT 1A DC
- DIELECTRIC STRENGTH FOR 60 SECONDS:** AC 1500V MIN
- ROHS 2 COMPLIANT**

Tolerance (Except as noted)	 Memory Protection Devices, Inc 200 Broad Hollow Road, Farmingdale, New York 11735	Scale	Drawn By B.S.
			Approved By T.B.
decimal ±.5 (.020)	Title INLINE FUSE HOLDER		
Fractional ± .8 (.030)	Date 01/19/18	Drawing Number BF356S	
Angular ± 3°			