

KSB & KSF Series Low-profile Tact Switch



Features/Benefits

- Low profile
- Protected against flux
- KSB without top sealing
- KSF with top sealing

Typical Applications

- Low profile keyboards
- Instrumentation
- Industrial control
- Medical
- Military

Specification

CONTACT ARRANGEMENT: SPST, N.O.
DOUBLE OVERMOLDING ON TERMINAL
MEMBRANE SEALING
TERMINALS: PC pins

Mechanical

Type	Actuation force Newtons (grams)	Operating life (operations)	Travel to make
KSB0M110	1.6 (160)	100,000	0,15 ± 0,05
KSB0M410	3.0 (300)	500,000	0,15 ± 0,05
KSF0M210	1.3 (130)	1,000,000	0,25 ± 0,1/-0,0
KSF0M310	1.6 (160)	500,000	0,25 ± 0,1/-0,0
KSF0M410	3.0 (300)	100,000	0,3+0,1/-0,0
KSF0M510	5.0 (500)	100,000	0,3+0,1/-0,0
KSF0M910	3.0 (300)	500,000	0,3+0,1/-0,0

Electrical

MAXIMUM POWER:	Silver 1 VA	Gold 0.2 VA
MAXIMUM VOLTAGE:	50 VDC	50 VDC
MINIMUM VOLTAGE:	20 mV	20 mV
MAXIMUM CURRENT:	50 mA	10 mA
MINIMUM CURRENT:	1 mA	1 mA

DIELECTRIC STRENGTH (50 Hz, 1 min.): 300 Vrms
CONTACT RESISTANCE: KSF 50 mΩ; KSB 100 mΩ
INSULATION RESISTANCE (100 V): ≤ 10¹¹ Ω
BOUNCE TIME: 1 ms

Environmental

OPERATING TEMPERATURE:	Silver -40°C to 90°C	Gold -40°C to 125°C
STORAGE TEMPERATURE:	-40°C to 85°C	-55°C to 125°C

Process

Wave soldering EIA-RS448-2

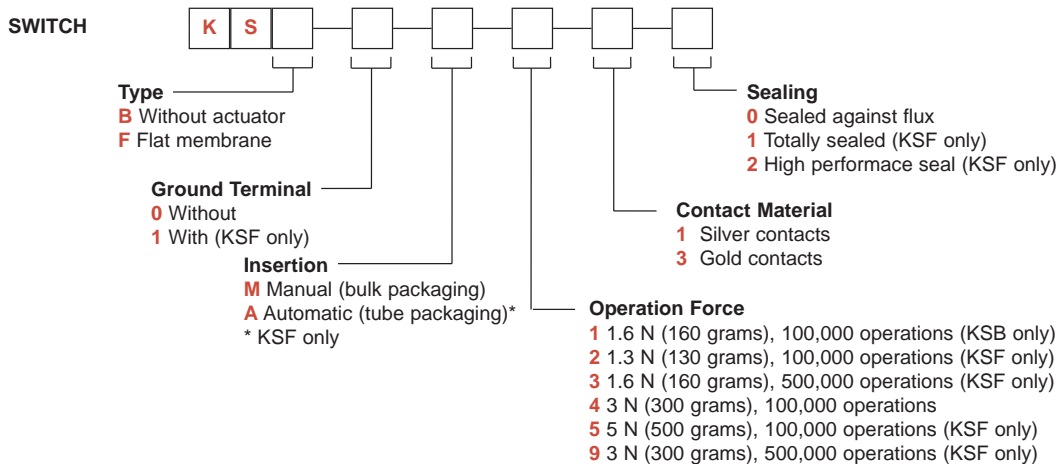
Packaging

KSF delivered in tubes of 65 pieces for automatic insertion. KSB in boxes of 500 pieces for manual insertion.

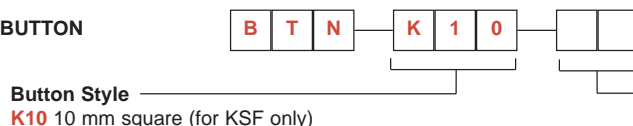
NOTE: Part numbers listed above do not represent all possible configurations. For information on specific and custom switches, consult Customer Service Center.

How To Order

Our easy build-a-switch concept allows you to mix and match options to create the switch you need. To order, select desired option from each category and place it in the appropriate box.



BUTTON



Button must be ordered separately and will be supplied in bulk.

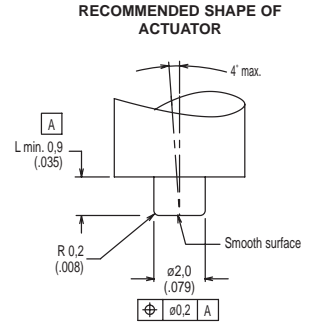
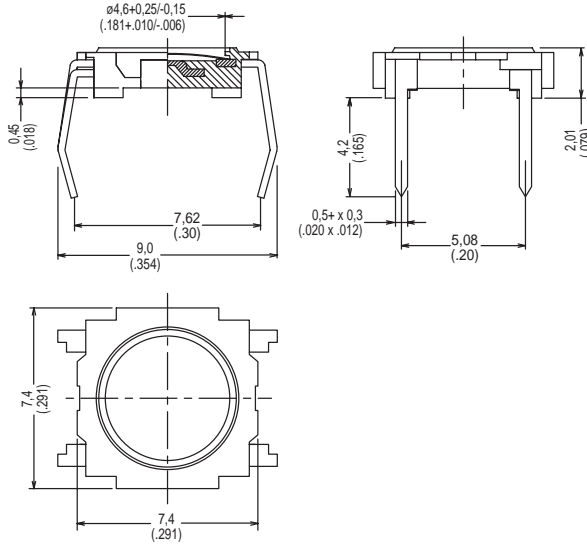
KSB & KSF Series Low-profile Tact Switch

TYPE

KSB



KSB0M110



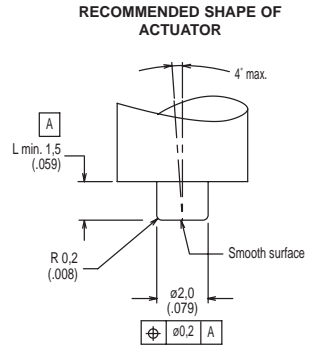
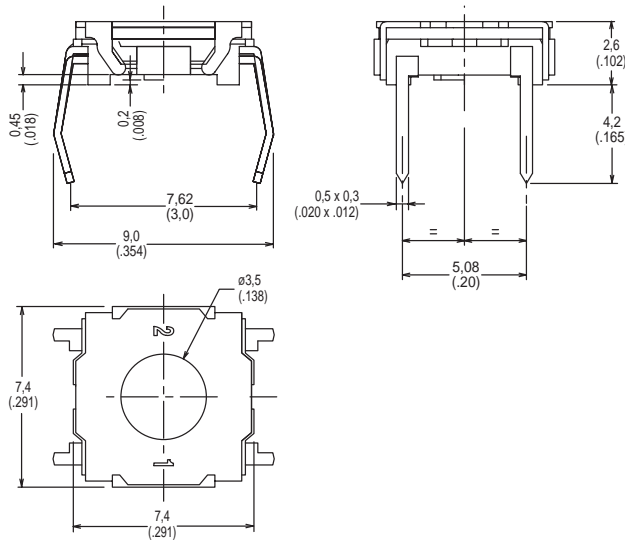
Tactile Switches

B

KSF



KSF0M111



GROUND TERMINAL

0 WITHOUT

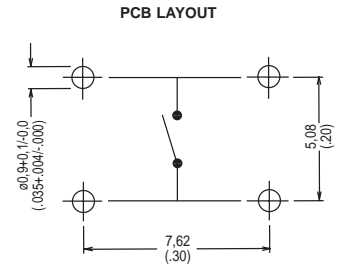
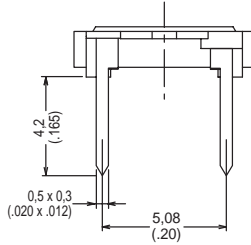
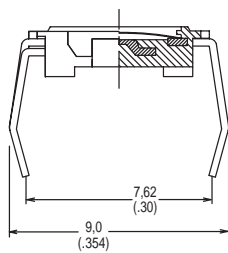
1 WITH (KSF only)

KSB & KSF Series Low-profile Tact Switch

INSERTION

M MANUAL (bulk packaging)

A AUTOMATIC (KSF ONLY) (Tube packaging, 65 per tube)



OPERATING FORCE

OPTION CODE	OPERATING FORCE
1	1.6 N (160 grams) 100,000 operations (KSB only)
2	1.3 N (130 grams) 100,000 operations (KSF only)
3	1.6 N (160 grams) 500,000 operations (KSF only)
4	3 N (300 grams) 100,000 operations
5	1.6 N (160 grams) 500,000 operations (KSF only)
9	3 N (300 grams) 500,000 operations (KSF only)

CONTACT MATERIAL

OPTION CODE	CONTACT MATERIAL
1	Silver contacts
3	Gold contacts

SEALING

OPTION CODE	SEALING
0	Sealed against flux
1	Totally sealed (KSF only)
2	High performance seal (KSF only)



Dimensions are shown: mm (inch)
Dimensions subject to change

KSB & KSF Series Low-profile Tact Switch

BUTTON

K10 button for KSF ONLY

Button must be ordered separately and will be supplied in bulk.

