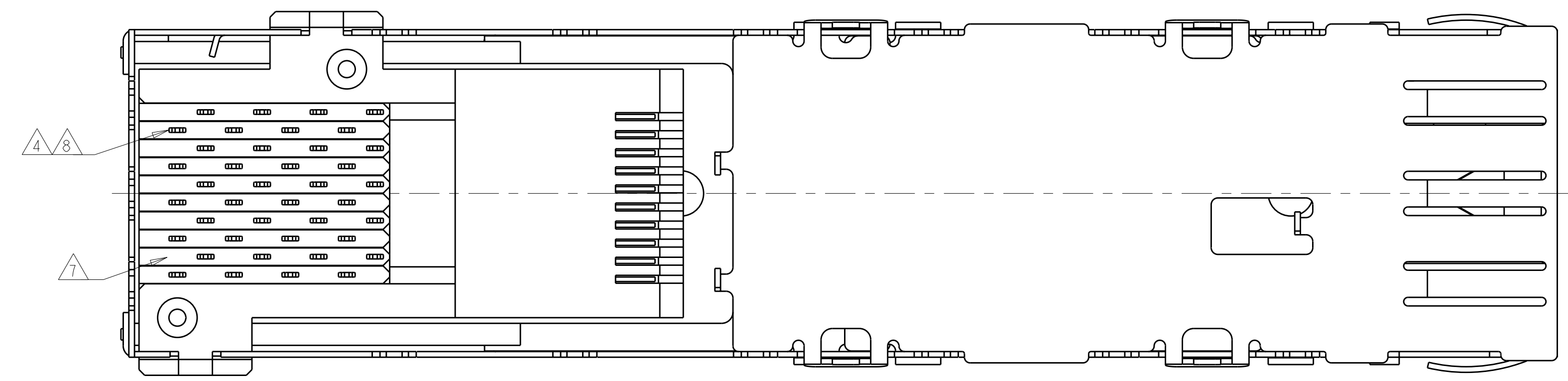
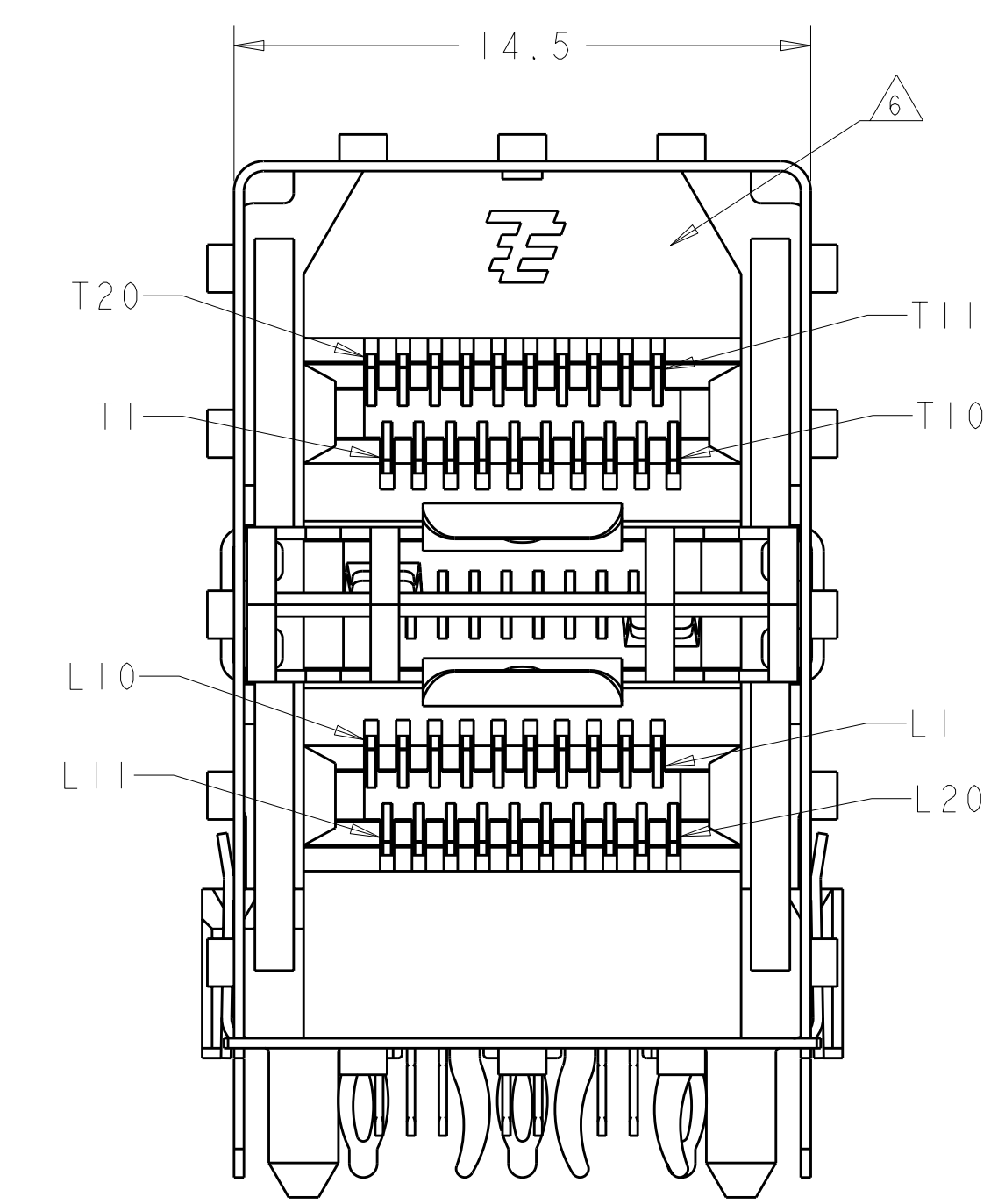
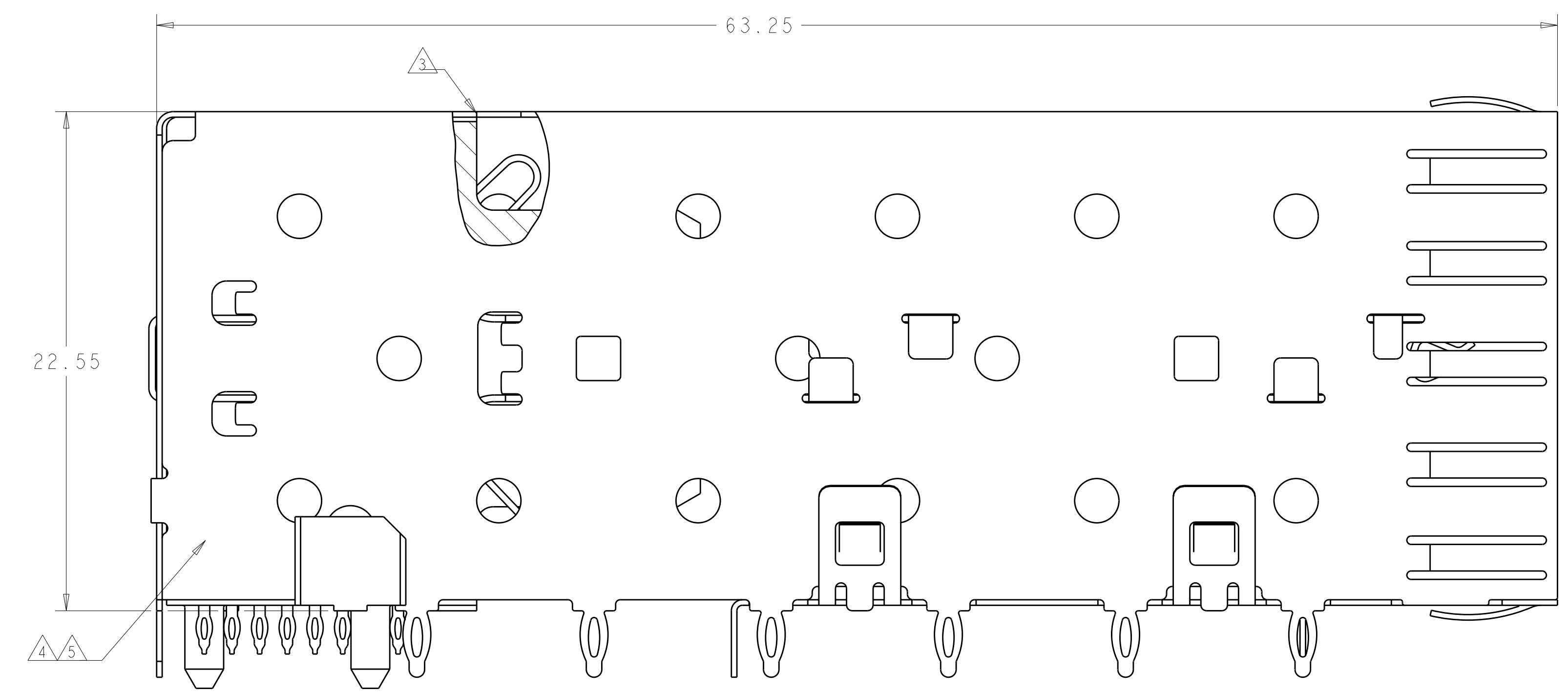
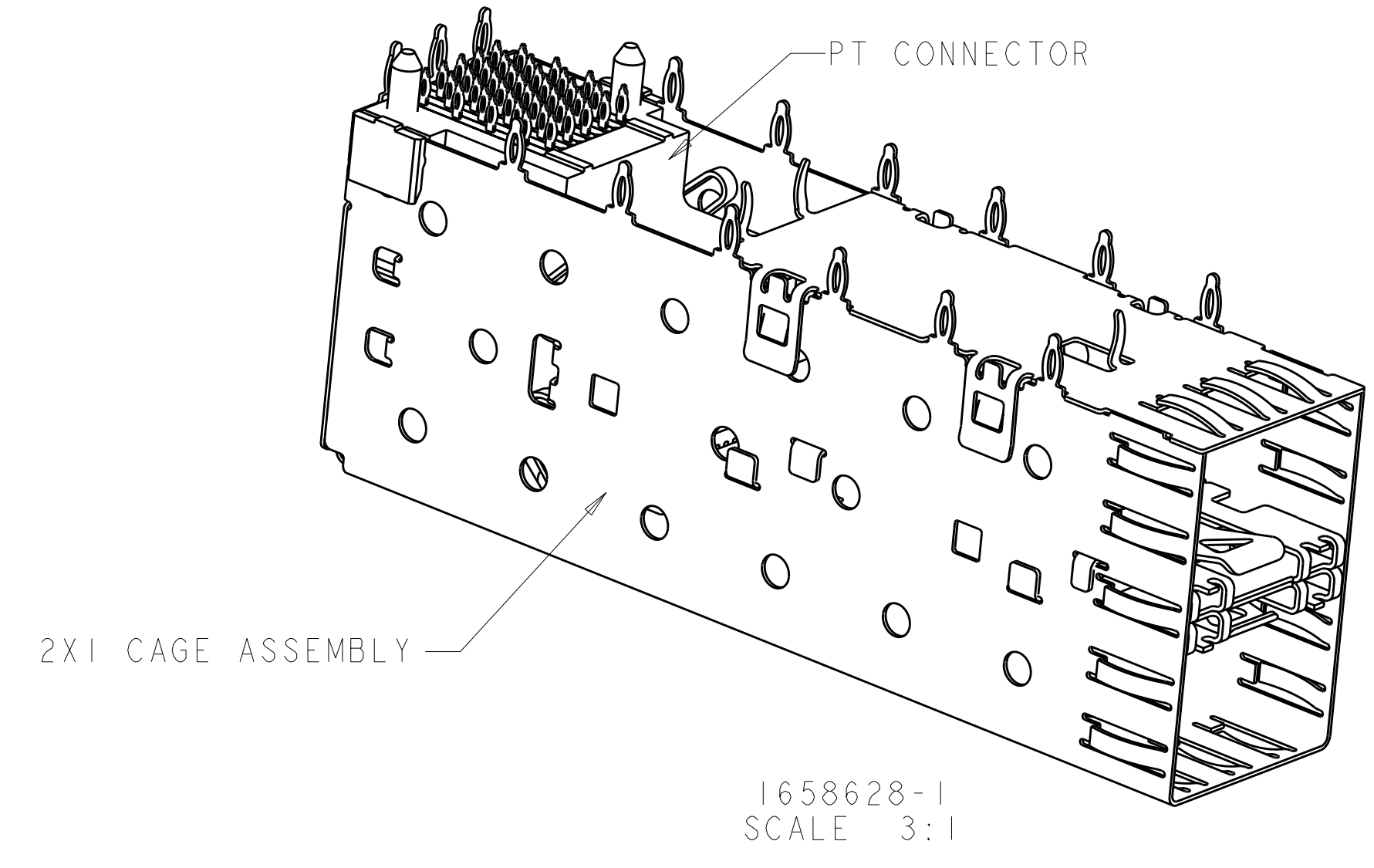


LOC	DIST	REV	DATE	BY	CHKD	APVD
ES	00	F1	18MAR2011	RK	HMR	



- ① DATUM AND BASIC DIMENSION TO BE DETERMINED BY CUSTOMER.
- ② INTERPRETATION OF DATUM REFERENCE FRAME IN ACCORDANCE WITH SECT 4.4.1.1 OF ASME Y14.5M-1994.
- ③ TOP OF PT CONNECTOR TO BE 0-0.15 FROM INSIDE SURFACE OF CAGE.
- ④ COPPER ALLOY.
- ⑤ 1.25um MIN TIN PER ASTM B 545 OVER NICKEL FLASH PER QQ-N-290. NON-PLATED EDGES PERMISSIBLE.
- ⑥ LCP, HIGH TEMPERATURE, UL 94V-0 RATED, BLACK.
- ⑦ POLYESTER, UL 94V-0 RATED, BLACK.
- ⑧ CONTACT MATING AREA: SURFACE TREATMENT OVER 0.76um MIN GOLD PER ASTM B 488 OVER 1.27um MIN NICKEL PER QQ-N-290. NEEDLE EYE: 1.25um MIN TIN PER ASTM B 545 OVER 1.27um MIN NICKEL PER QQ-N-290. REMAINDER OF CONTACT: 0.76um MIN NICKEL PER QQ-N-290.

1658628-1  
PART NUMBER

THIS DRAWING IS A CONTROLLED DOCUMENT.		OWN: R. HENRY 17APR03	TE Connectivity
DIMENSIONS: mm		CHK: J. KOPPENHEFFER 23JAN04	
TOLERANCES UNLESS OTHERWISE SPECIFIED:		APVD: M. WALMSLEY 23JAN04	NAME: CAGE AND PT CONNECTOR ASSEMBLY, 2x1, PRESS FIT, LOW PROFILE, SFP
0 PLC ±	1 PLC ±0.1	PRODUCT SPEC: 108-2161	SIZE: CAGE CODE DRAWING NO: A100779C=1658628
2 PLC ±	3 PLC ±	APPLICATION SPEC: 114-13103	RESTRICTED TO: -
4 PLC ±	ANGLES ±	WEIGHT: -	SCALE: 2:1 SHEET 1 OF 3 REV: F1
MATERIAL: -	FINISH: -	CUSTOMER DRAWING	

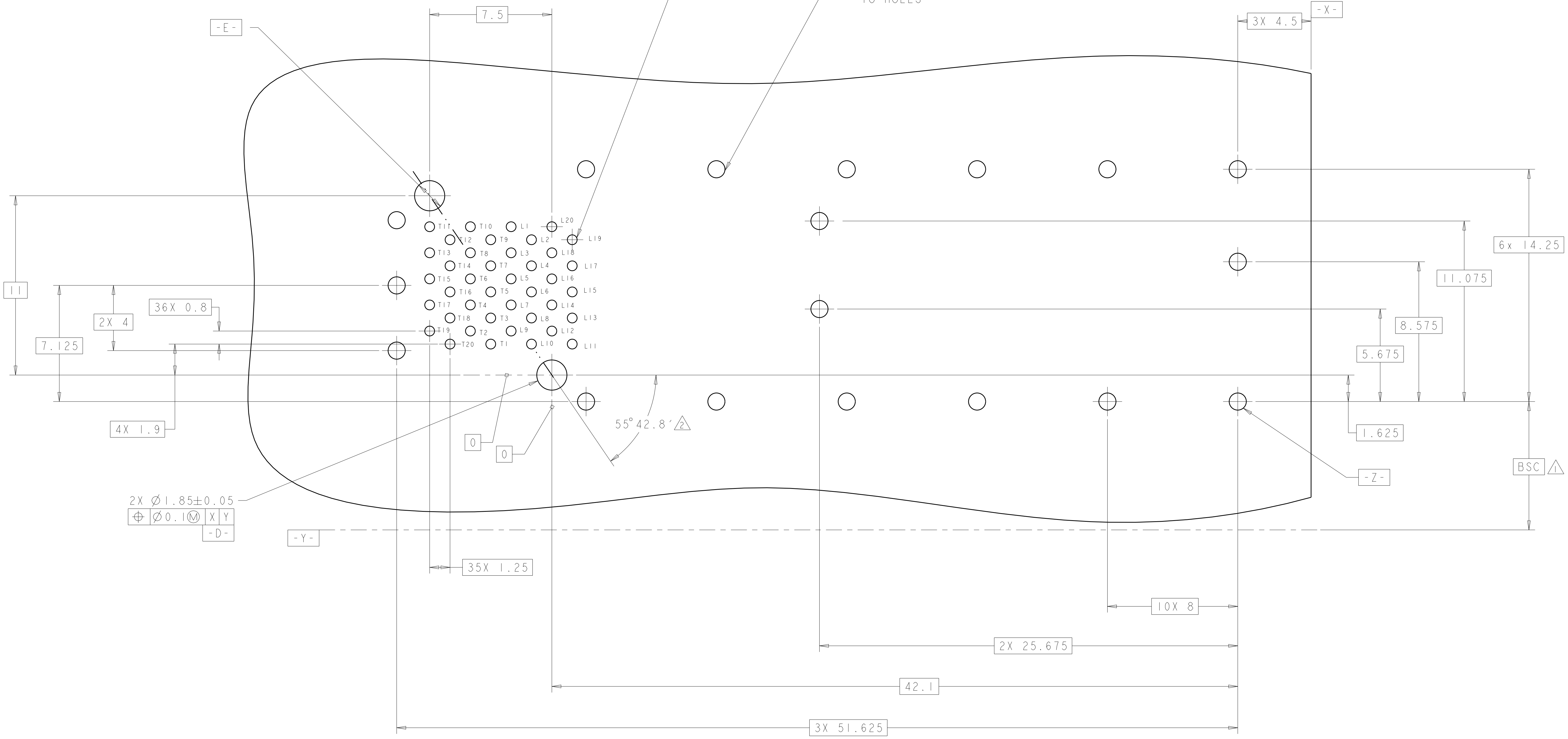
LOC	DIST	REV	DATE	BY	APPD
ES	00				

REVISIONS			
NO	DATE	DESCRIPTION	BY
1		SEE SHEET 1	

THE HOLE SIZE IS RECOMMENDED ON THE PAGE 4 (TOP OF FIGURE2 FOR CONNECTOR) OF THE TE DOCUMENT 114-13103  
 $\varnothing 0.08 \text{ (M)} \text{ (DS)} \text{ (ES)}$   
 40 HOLES

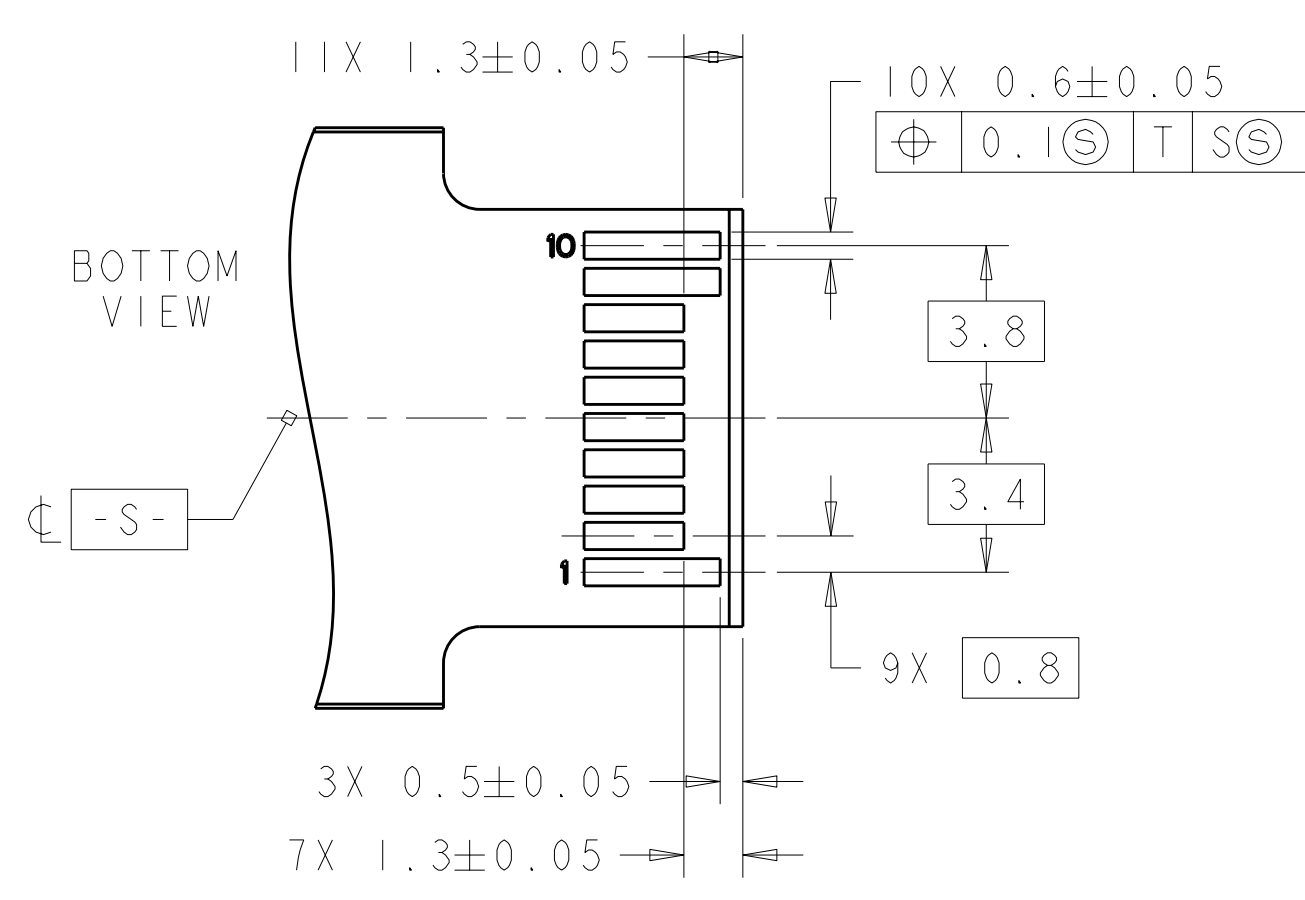
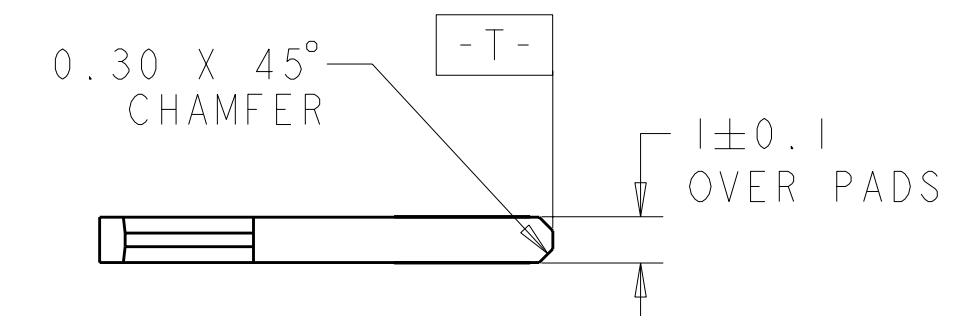
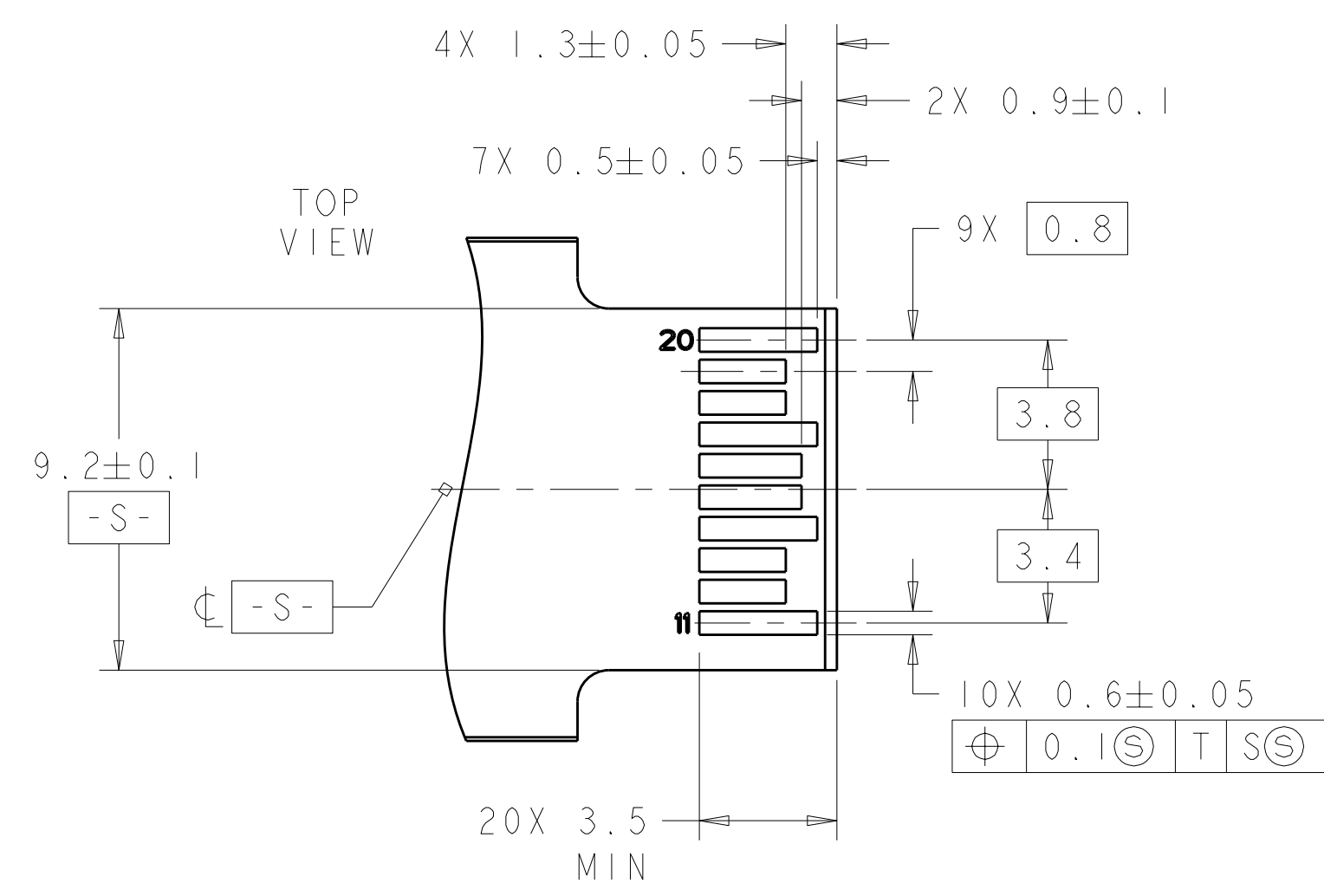
THE HOLE SIZE IS RECOMMENDED ON THE PAGE 4 (BOTTOM OF FIGURE2 FOR CAGE ASSEMBLY) OF THE TE DOCUMENT 114-13103  
 $\varnothing 0.10 \text{ (M)} \text{ (ZS)}$   
 18 HOLES




SFP HOST BOARD  
 MECHANICAL LAYOUT  
 SCALE 8:1

THIS DRAWING IS A CONTROLLED DOCUMENT.		DWN: R. HENRY 17APR03 CHK: J. KOPPENHEFFER 23JAN04 APVD: M. WALMSLEY 23JAN04	TE Connectivity
DIMENSIONS: mm	TOLERANCES UNLESS OTHERWISE SPECIFIED: 9 PLC ± 3 PLC ±0.1 5 PLC ± 4 PLC ± ANGLES ± FINISH	NAME: CAGE AND PT CONNECTOR ASSEMBLY, 2x1, PRESS FIT, LOW PROFILE, SFP PRODUCT SPEC: 108-2161 APPLICATION SPEC: 114-13103 WEIGHT: - CUSTOMER DRAWING	

LOC	DIST	REVISIONS			
ES	00	REV	DATE	BY	APPD
		-	SEE SHEET 1	-	-



RECOMMENDED LAYOUT FOR  
 MATING TRANSCEIVER PCB  
 SCALE 6:1

THIS DRAWING IS A CONTROLLED DOCUMENT.		OWN R. HENRY	17APR03	 TE Connectivity
DIMENSIONS: mm		CHK J. KOPPENHEFFER	23JAN04	
TOLERANCES UNLESS OTHERWISE SPECIFIED:		APVD M. WALMSLEY	23JAN04	NAME CAGE AND PT CONNECTOR ASSEMBLY, 2x1, PRESS FIT, LOW PROFILE, SFP
9 PLC ± 1 PLC ±0.1 2 PLC ± 3 PLC ± 4 PLC ± ANGLES ±		PRODUCT SPEC 108-2161	APPLICATION SPEC 114-13103	SIZE A100779
MATERIAL		FINISH	WEIGHT	RESTRICTED TO
				C=1658628
		CUSTOMER DRAWING		SCALE 2:1 SHEET 3 OF 3 REV F1