

THIS DRAWING IS UNPUBLISHED.

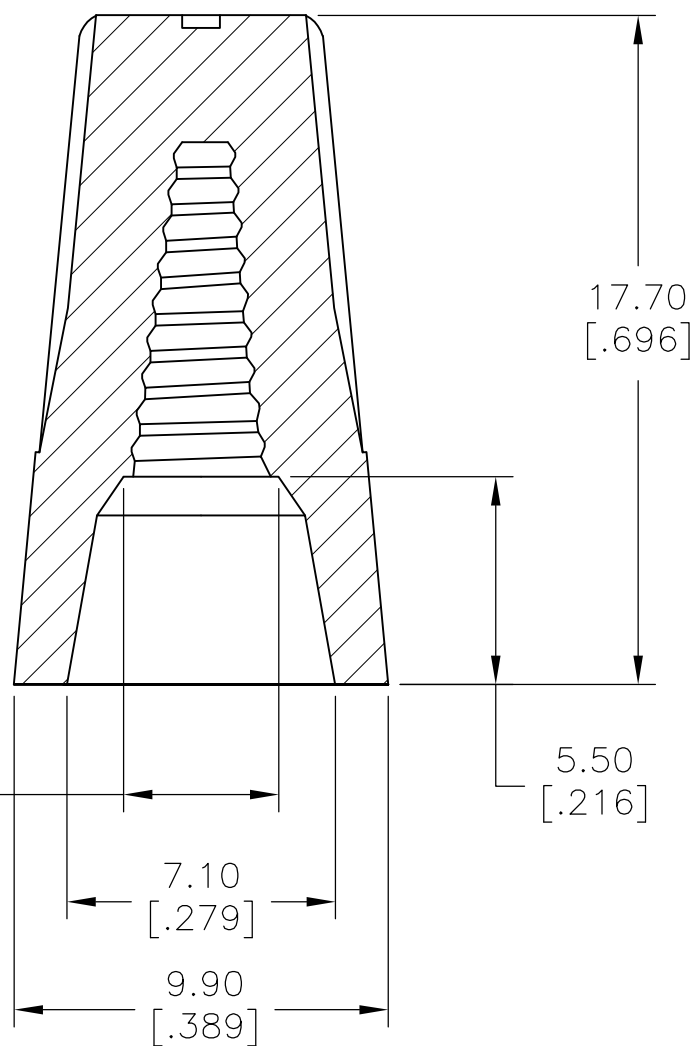
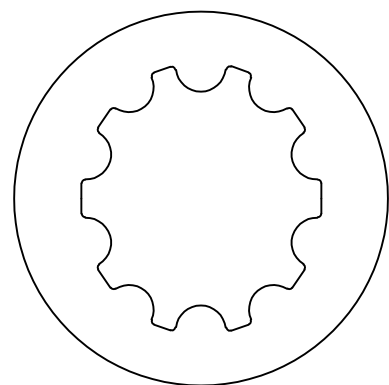
RELEASED FOR PUBLICATION

ALL RIGHTS RESERVED.

© COPYRIGHT - By -


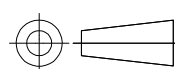
REVISIONS

P	LTR	DESCRIPTION	DATE	DWN	APVD
	A	NEW DRAWING	22JAN2016	NK	RH



- 1 WORKING TEMPERATURE: 105° C
- 2 VOLTAGE: 300V MAX.
- 3 COLOR: BLUE
- 4 WIRE RANGE: #22-#14AWG. MAX.3#16 MIN.2#22
- 5 SPRING INSERT: STEEL

2299501-1 AS SHOWN

THIS DRAWING IS A CONTROLLED DOCUMENT.		DWN NAGALAKSHMI K 22JAN2016	 <b>TE Connectivity</b>				
DIMENSIONS: mm [INCHES]		CHK HILL RYAN 22JAN2016					
TOLERANCES UNLESS OTHERWISE SPECIFIED:		APVD HILL RYAN 22JAN2016	NAME				
 <ul style="list-style-type: none"> <li>0 PLC ± -</li> <li>1 PLC ± 0.2[.007]</li> <li>2 PLC ± 0.4[.015]</li> <li>3 PLC ± -</li> <li>4 PLC ± -</li> <li>ANGLES ± -</li> </ul>		PRODUCT SPEC	CPGI-WC-WG-BL-BULK				
MATERIAL TOUGH THERMOPLASTIC UL 94V-2 FLAME-RETARDANT		FINISH -	APPLICATION SPEC	SIZE A3	CAGE CODE 00779	DRAWING NO C-2299501	RESTRICTED TO
CUSTOMER DRAWING			WEIGHT -	SCALE 3:1	SHEET 1 OF 1	REV A	