

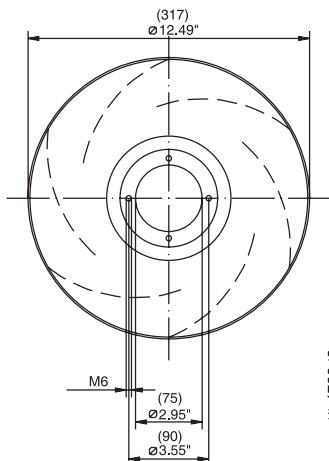


RH31M Series Motorized Impeller

Ø 315mm Backward Curved

- Backward curved centrifugal fans feature extremely long blades. These impellers are highly resistant to dirt and dust. Their hydraulic efficiency is very high.
- Impeller completely made of a welded steel design.
- Maintenance-free ball bearings.
- Direction of rotation is CW as seen from inlet of the impeller.
- UL, CSA, VDE approvals on some models, please contact application engineering.
- Recommended inlet ring: IR/265498.

Part Number	Curve	CFM @ 0	VAC	Hertz	Power (W)	dBa	Max Amb. Temp C	Bearing Type	Features	Capacitor (µF)	Wgt. (lbs)
RH31M-6/204981	1	610	115	50/60	75	59	50	Ball	Leads	6	9.19
RH31M-6/104373	2	770	115	50/60	110	59	60	Ball	Leads	8	9.19
RH31M-4/104369	3	1030	115	60	160	65	45	Ball	Leads	14	10.5
RH31M-4/104370	4	1200	115	60	240	65	50	Ball	Leads	20	10.5
RH31M-6/204984	1	610	230	50/60	75	59	50	Ball	Leads	1.5	9.19
RH31M-6/104372	2	770	230	50/60	110	59	60	Ball	Leads	2	9.19
RH31M-4/204988	3	1030	230	60	160	76	70	Ball	Leads	4	10.5
RH31M-4/104371	4	1200	230	60	240	65	40	Ball	Leads	4	10.5



MOUNTING:
3.54" (90) Bolt Circle
4 x 90° M6 Holes

KL1783/3

