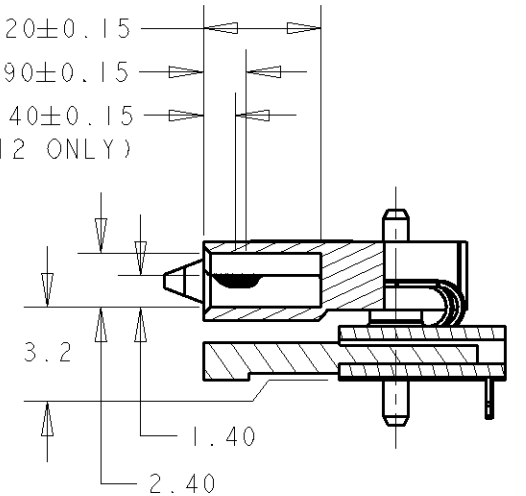
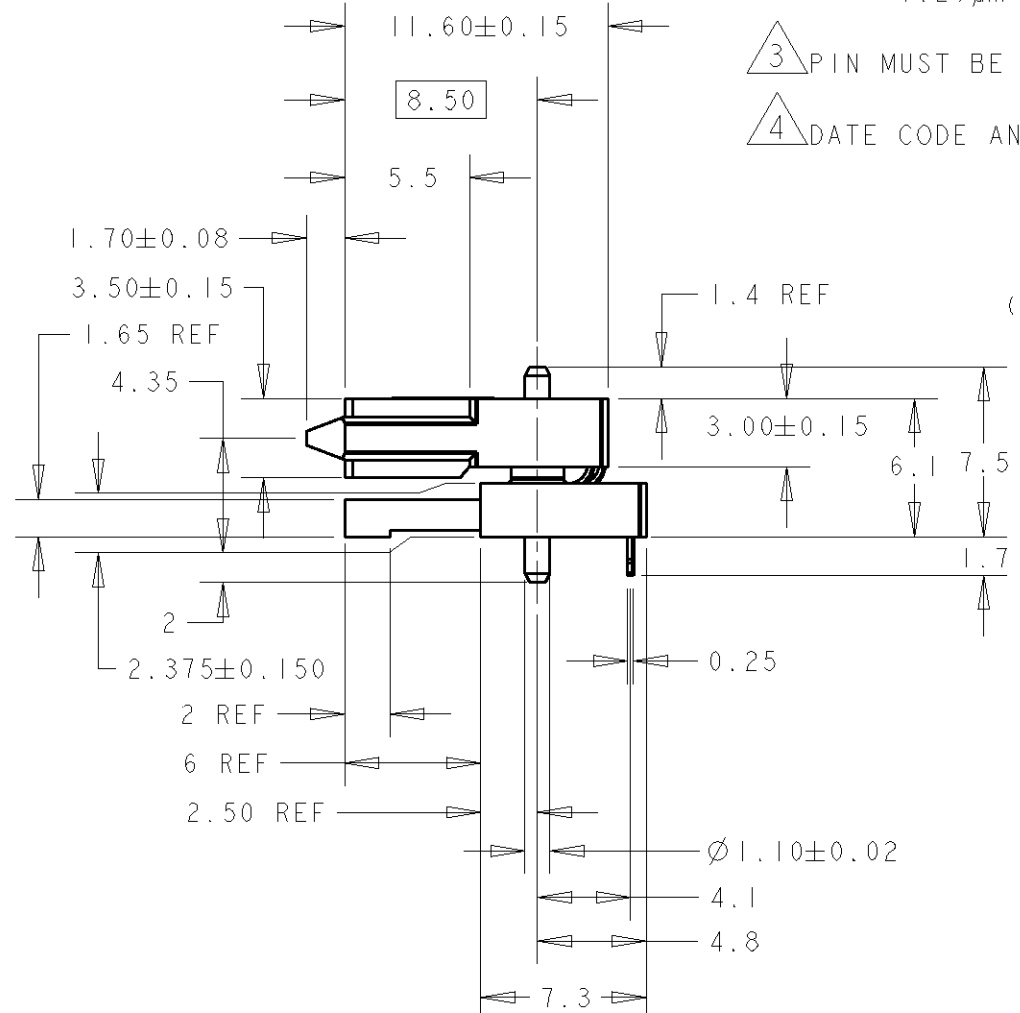
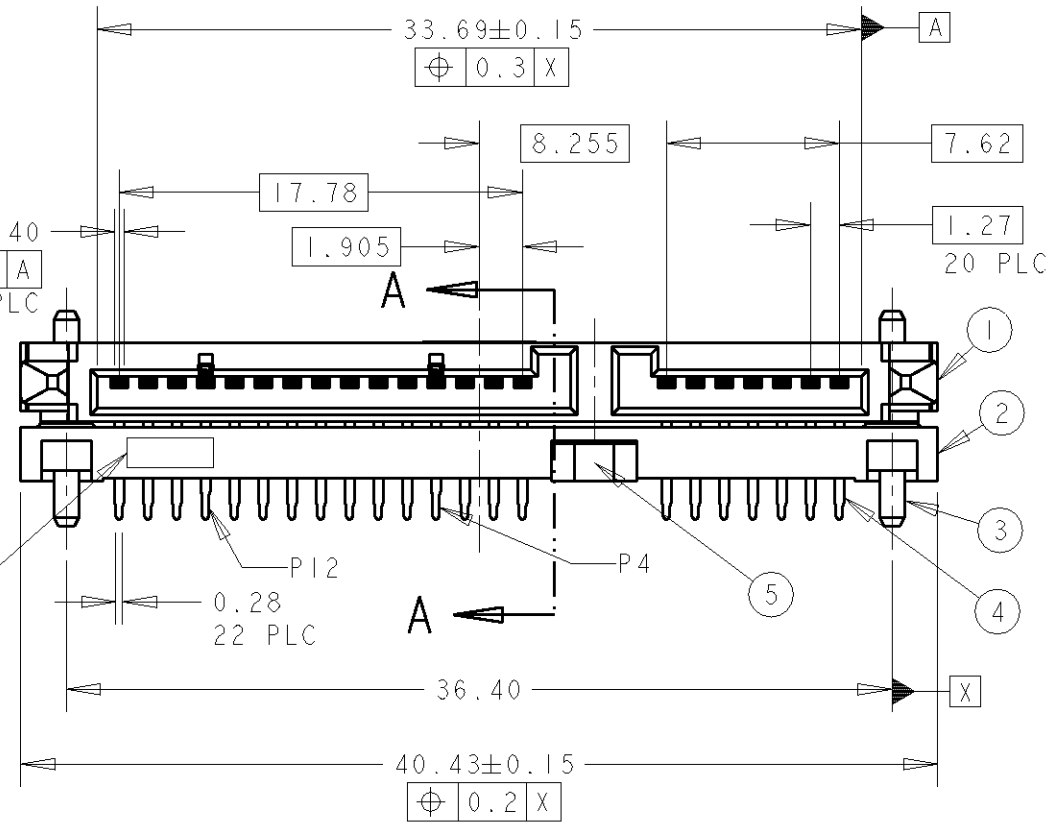
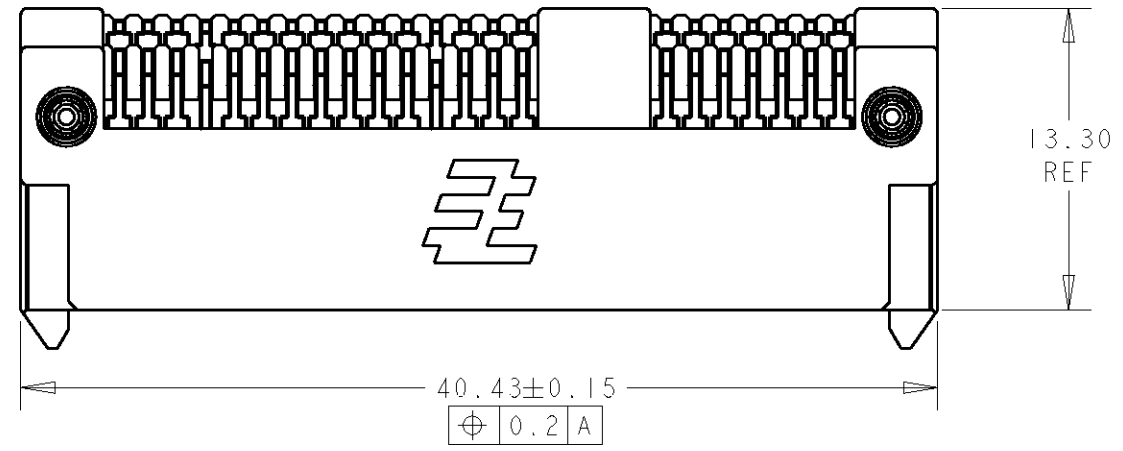


THIS DRAWING IS UNPUBLISHED. RELEASED FOR PUBLICATION .19
 © COPYRIGHT 19 BY AMP INCORPORATED. ALL RIGHTS RESERVED.

LOC	DIST	REVISIONS					
		P	LTR	DESCRIPTION	DATE	DWN	APVD
DY	-		AI	REVISED ECR-08-012045	13MAY08	JC	TAP



1 MATERIAL:
 HOUSING: THERMOPLASTIC HIGH TEMP., UL94V-0, COLOR: BLACK
 CONTACT: PHOSPHOR BRONZE
 PIN: BRASS
 CAP: THERMOPLASTIC HIGH TEMP., UL94V-0, COLOR: BLACK
 EMBOSS TAPE: PS, COLOR: CLEAR
 COVER TAPE: PET

2 FINISH:
 CONTACT:
 CONTACT AREA: $0.2 \mu\text{m}$ Au PL.
 $1.27 \mu\text{m}$ NICKEL UNDER PL. ALL OVER
 SOLDERING AREA: $2-5 \mu\text{m}$ MATTE TIN PL.
 $1.27 \mu\text{m}$ NICKEL UNDER PL. ALL OVER
 PIN: $2-5 \mu\text{m}$ MATTE TIN PL. ALL OVER
 $1.27 \mu\text{m}$ NICKEL UNDER PL. ALL OVER

3 PIN MUST BE SOLDERED WITH PCB
 4 DATE CODE AND ASSY MACHINE ID

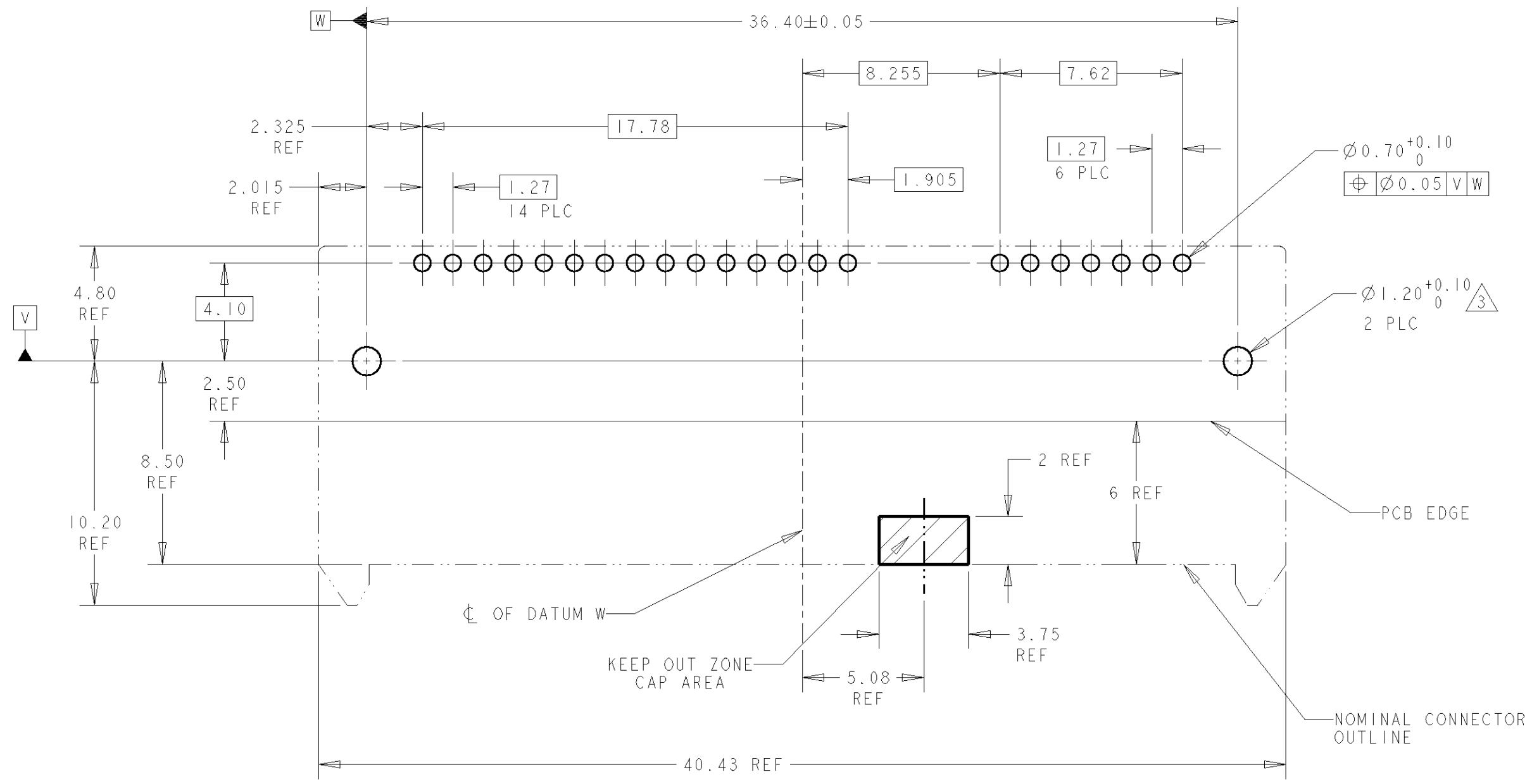
PART LIST	ITEM NO.
CAP	5
CONTACT	4
PIN	3
LOWER HOUSING	2
UPPER HOUSING	1

P/N: 1759925-1 AS SHOWN

THIS DRAWING IS A CONTROLLED DOCUMENT FOR AMP INCORPORATED. IT IS SUBJECT TO CHANGE AND THE CONTROLLING ENGINEERING ORGANIZATION SHOULD BE CONTACTED FOR THE LATEST REVISION.		DWN WYLEE 24JUL07	Tyco Electronics Singapore
		CHK JASON CHOW 24JUL07	
DIMENSIONS: mm		APVD AP TAY 24JUL07	NAME REC ASSY A-FREE SATA H4.35
TOLERANCES UNLESS OTHERWISE SPECIFIED: 0 PLC ± 0.2 1 PLC ± 0.2 2 PLC ± 0.2 3 PLC ± 0.2 4 PLC ± 0.2 ANGLES $\pm 3^\circ$		PRODUCT SPEC 108-78274	SIZE A3
MATERIAL		FINISH	CAGE CODE 00779
1		2	DRAWING NO 1759925
CUSTOMER DRAWING		WEIGHT -	SCALE 3:1
			SHEET 1 OF 3
			REV A1

THIS DRAWING IS UNPUBLISHED. RELEASED FOR PUBLICATION .19 .
 © COPYRIGHT 19 BY AMP INCORPORATED. ALL RIGHTS RESERVED.

LOC	DIST	REVISIONS			
P	LTR	DESCRIPTION	DATE	DWN	APVD
DY	-	SEE SHEET 1			

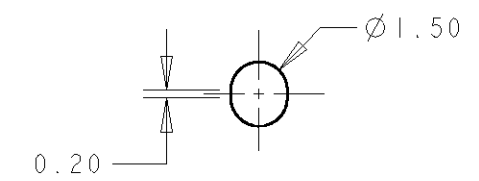
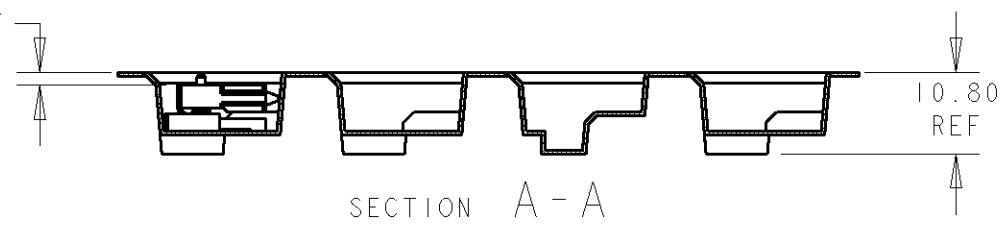
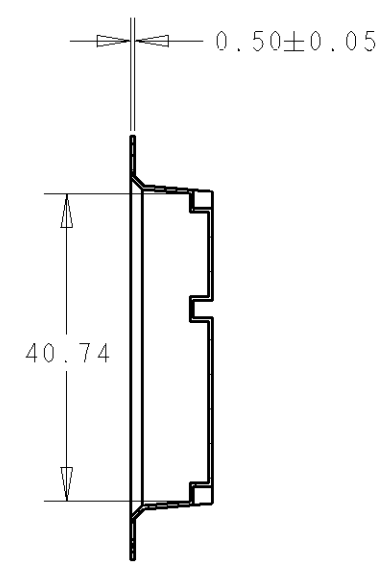
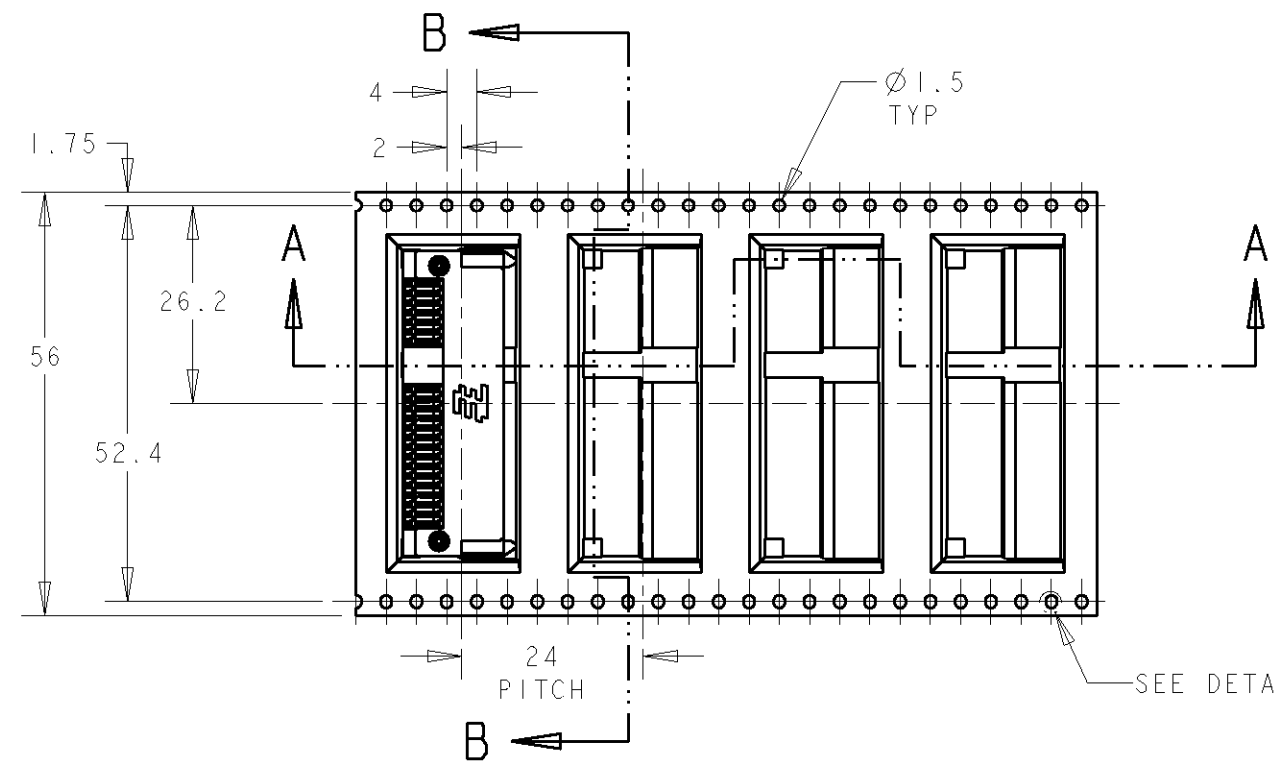


REFERENCE PCB LAYOUT
 REFERENCE PCB THICKNESS t=1.2
 SCALE 5:1

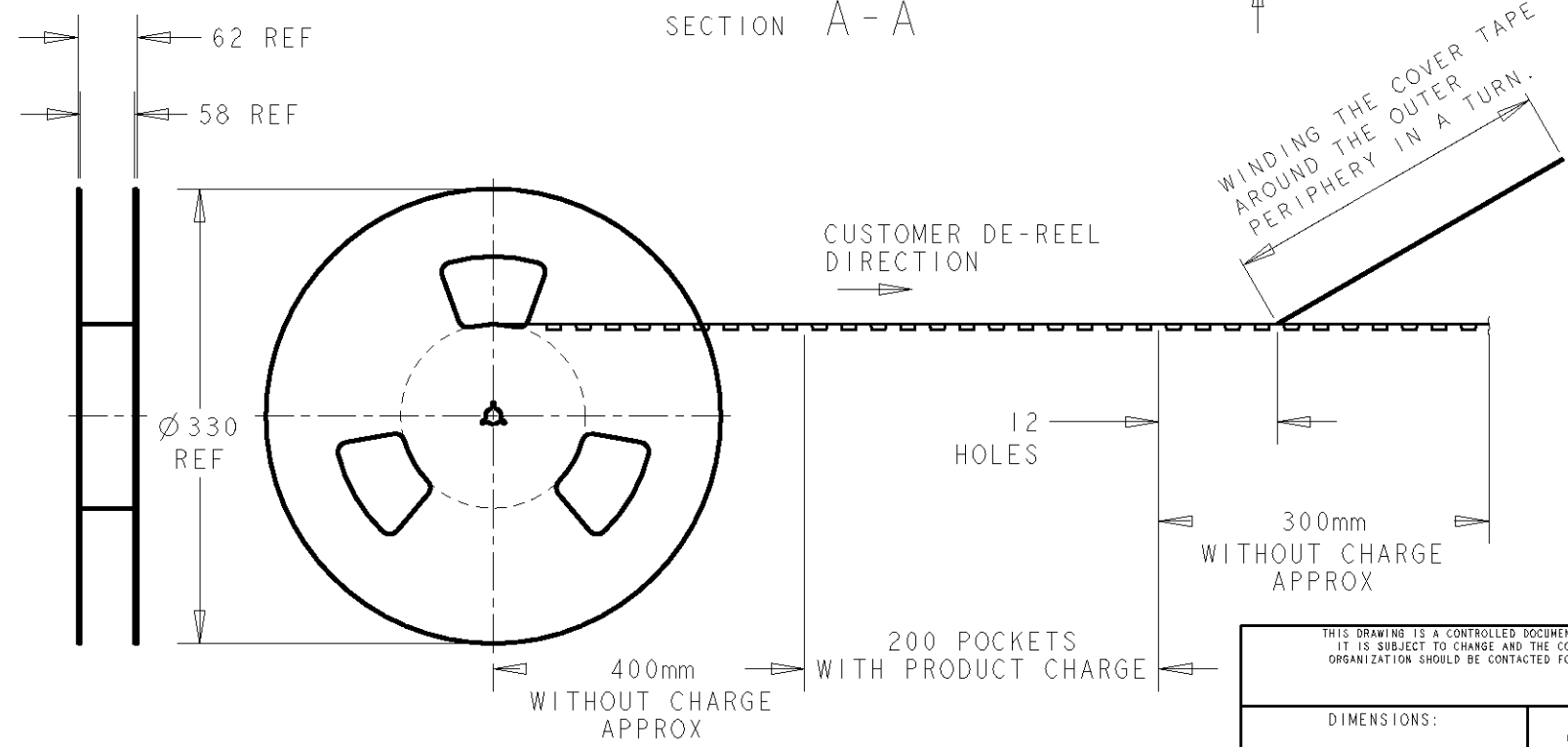
THIS DRAWING IS A CONTROLLED DOCUMENT FOR AMP INCORPORATED. IT IS SUBJECT TO CHANGE AND THE CONTROLLING ENGINEERING ORGANIZATION SHOULD BE CONTACTED FOR THE LATEST REVISION.		DWN WYLEE 24JUL07	Tyco Electronics Corporation Singapore		
DIMENSIONS: mm		CHK JASON CHOW 24JUL07	NAME REC ASSY A-FREE SATA H4.35		
TOLERANCES UNLESS OTHERWISE SPECIFIED: 0 PLC ± 1 PLC ± 2 PLC ± 3 PLC ± 4 PLC ± ANGLES ±		APVD AP TAY 24JUL07			
MATERIAL -		PRODUCT SPEC -	SIZE A3	CAGE CODE 00779	DRAWING NO C-1759925
FINISH -		APPLICATION SPEC -	SCALE -		SHEET 2 OF 3
CUSTOMER DRAWING			REV A1		

THIS DRAWING IS UNPUBLISHED. RELEASED FOR PUBLICATION .19
 © COPYRIGHT 19 BY AMP INCORPORATED. ALL RIGHTS RESERVED.

LOC	DIST	REVISIONS			
P	LTR	DESCRIPTION	DATE	DWN	APVD
DY	-	SEE SHEET 1			



DETAIL C
SCALE 5:1



PEELING STRENGTH: 20g TO 70g
 PEELING ANGLE: 165° TO 180°
 PEELING SPEED: 300mm/MINUTE
 QUANTITY PER REEL: 200 PIECES

<small>THIS DRAWING IS A CONTROLLED DOCUMENT FOR AMP INCORPORATED. IT IS SUBJECT TO CHANGE AND THE CONTROLLING ENGINEERING ORGANIZATION SHOULD BE CONTACTED FOR THE LATEST REVISION.</small>		DWN WYLEE	24JUL07	Tyco Electronics Corporation Singapore
DIMENSIONS: mm		CHK JASON CHOW	24JUL07	
		APVD AP TAY	24JUL07	
TOLERANCES UNLESS OTHERWISE SPECIFIED: 0 PLC ± 1 PLC ± 2 PLC ± 3 PLC ± 4 PLC ± ANGLES ±		PRODUCT SPEC	-	NAME REC ASSY A-FREE SATA H4.35
MATERIAL 		FINISH	-	SIZE A3
		CUSTOMER DRAWING		CAGE CODE 00779
				DRAWING NO C-1759925
				SCALE NTS
				SHEET 3 OF 3
				REV A1