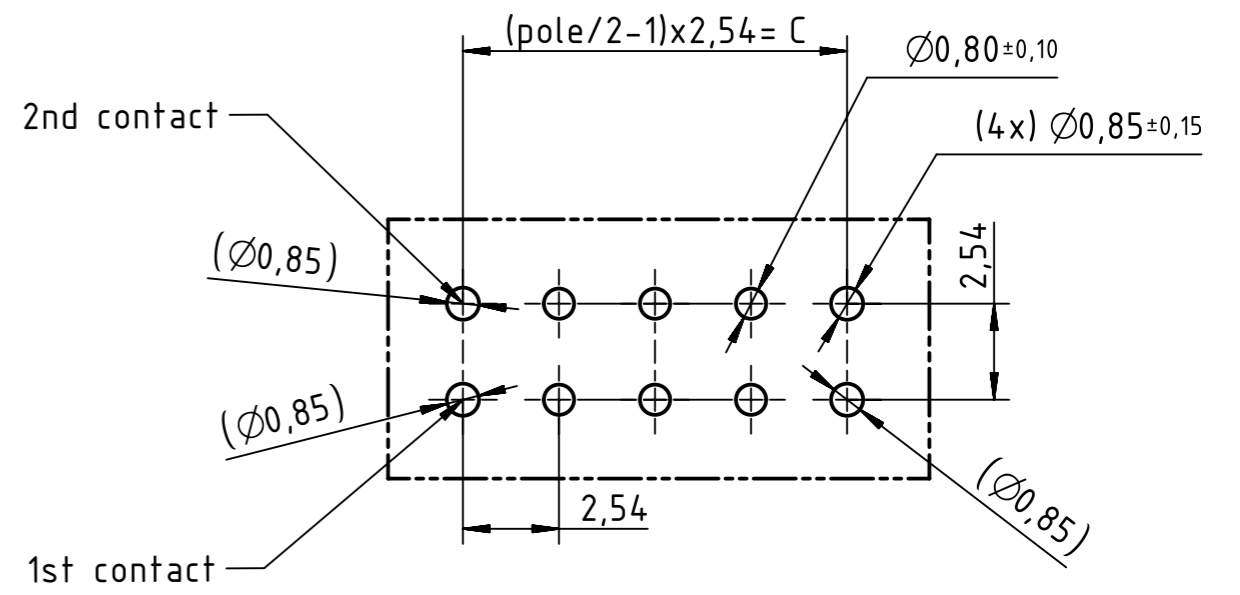
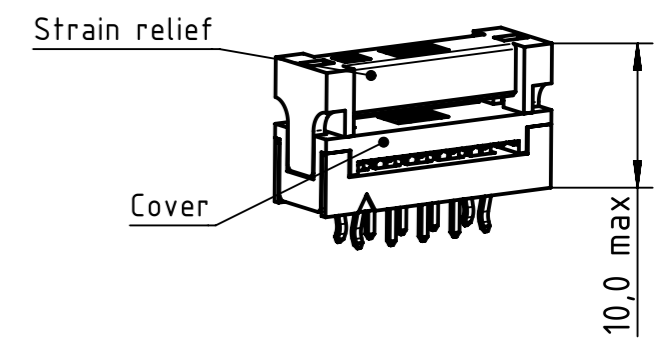
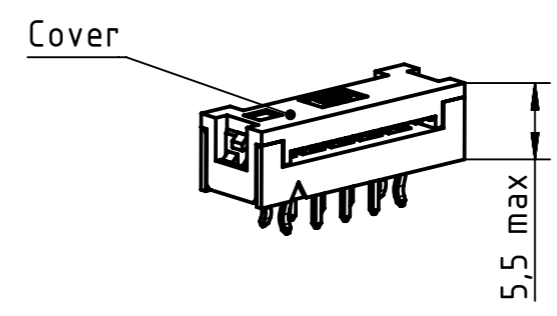


PCB layout, component side



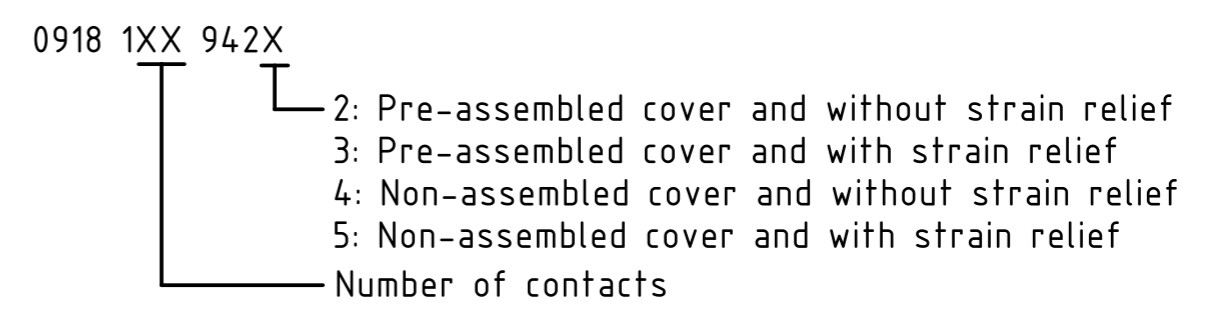
Assembled cover without strain relief

Assembled cover with strain relief



Number of contacts	Part Number	Dim A	Dim B	Dim C	Packing quantity
4	0918 104 942X	10,38	2,54	2,54	100pcs/packing
6	0918 106 942X	12,92	5,08	5,08	
8	0918 108 942X	15,46	7,62	7,62	
10	0918 110 942X	18,00	10,16	10,16	
14	0918 114 942X	23,08	15,24	15,24	
16	0918 116 942X	25,62	17,78	17,78	
20	0918 120 942X	30,70	22,86	22,86	
24	0918 124 942X	35,78	27,94	27,94	
26	0918 126 942X	38,32	30,48	30,48	
30	0918 130 942X	43,40	35,56	35,56	
34	0918 134 942X	48,48	40,64	40,64	50pcs/packing
40	0918 140 942X	56,10	48,26	48,26	
50	0918 150 942X	68,80	60,96	60,96	
60	0918 160 942X	81,50	73,66	73,66	
64	0918 164 942X	86,58	78,74	78,74	

Numbering system:



Note: strain relief can be ordered separately: P/N 0918 1XX 9002.
 technical information available on a separate document ref. : DS 09185100600.

	All rights reserved	Created by	Inspected by	Standardisation	Date	State
	Department EC PD - CN	SHENGJ	WANGSTE	HOFFMANN	2013-12-19	Final Release
HARTING Electronics GmbH		Title			Doc-Key / ECM-Nr.	
D-32339 Espelkamp		SEK 2rows kinked pin assembly			100540140/UGD/000/B 50000068008	
		Type	Number	Rev.		Page
		TB	09181XX942X	B		1/1