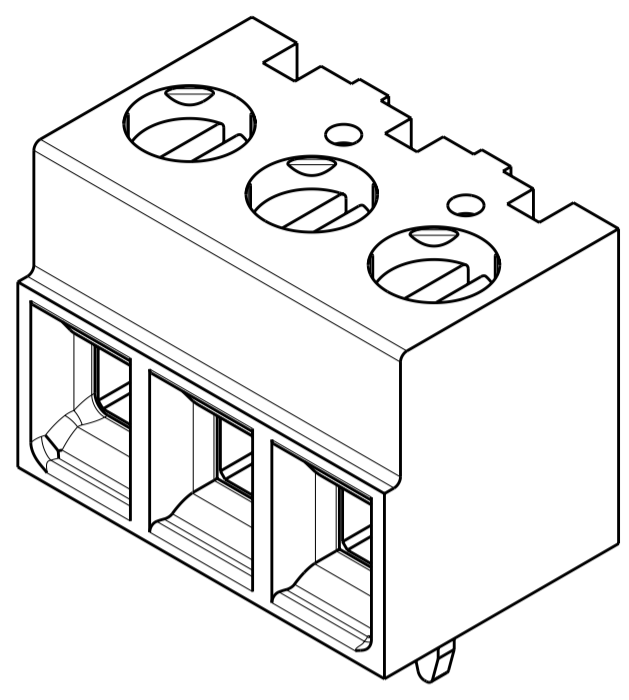
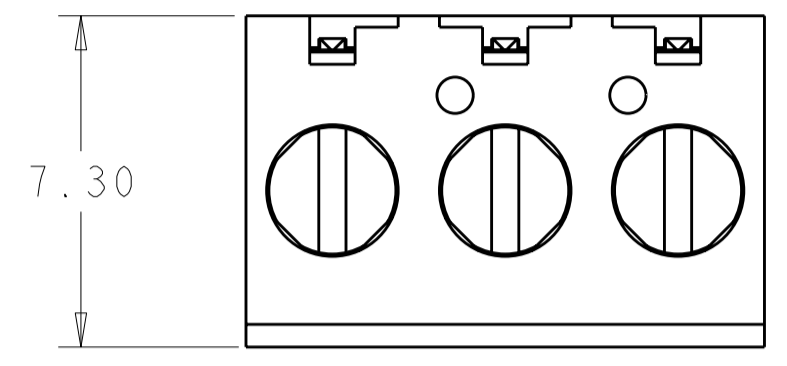


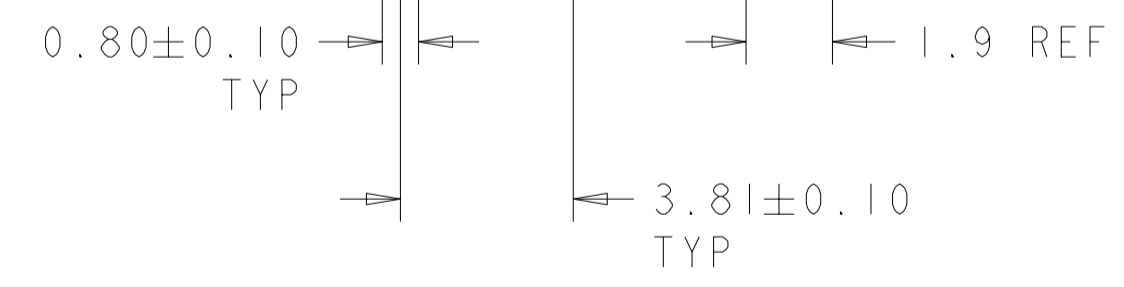
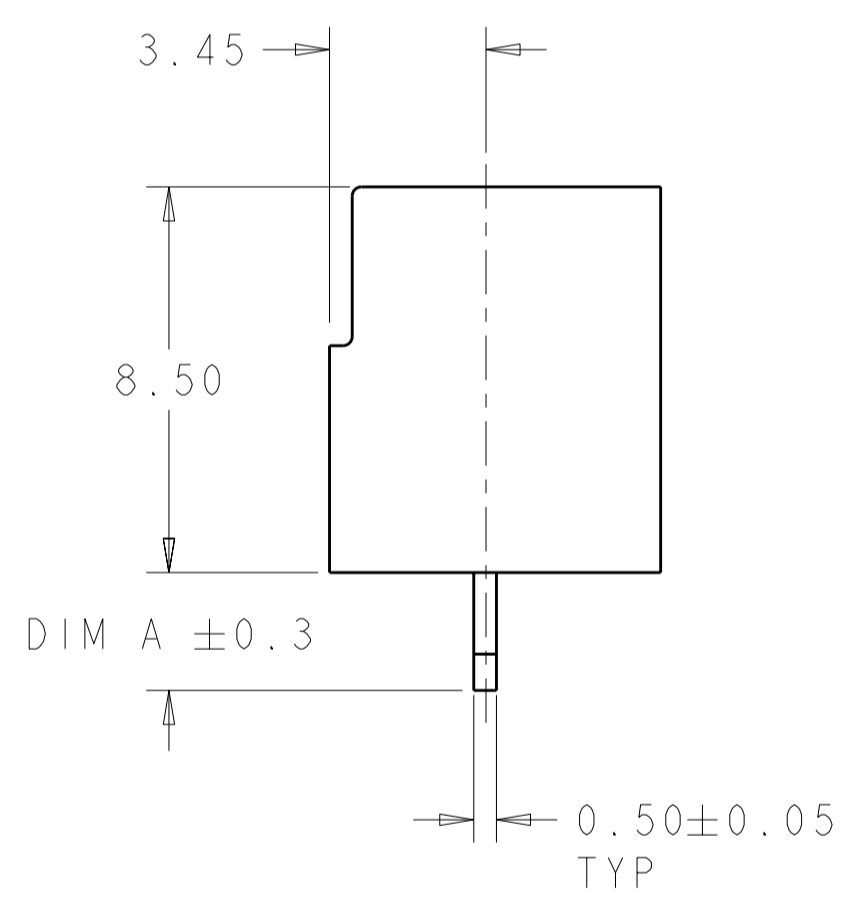
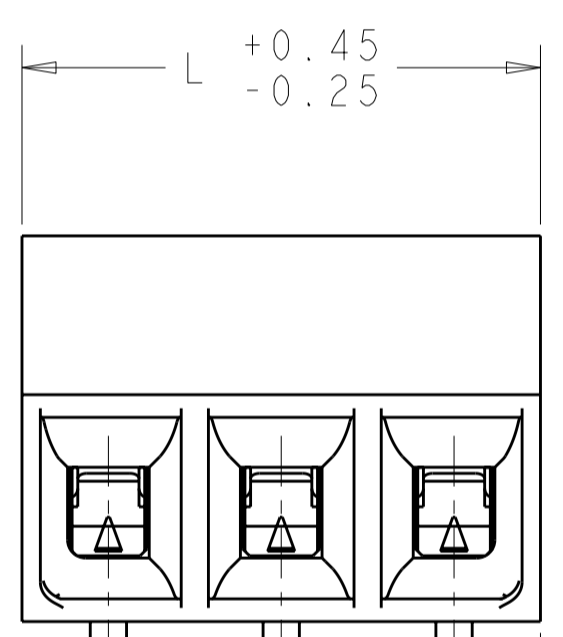
THIS DRAWING IS UNPUBLISHED. RELEASED FOR PUBLICATION 20  
 © COPYRIGHT 20 BY - ALL RIGHTS RESERVED.

| LOC |     | DIST                      |           | REVISIONS |      |  |  |
|-----|-----|---------------------------|-----------|-----------|------|--|--|
| P   | LTR | DESCRIPTION               | DATE      | DWN       | APVD |  |  |
|     | P   | REVISED PER ECO-11-004820 | 11MAR2011 | RK        | HMR  |  |  |

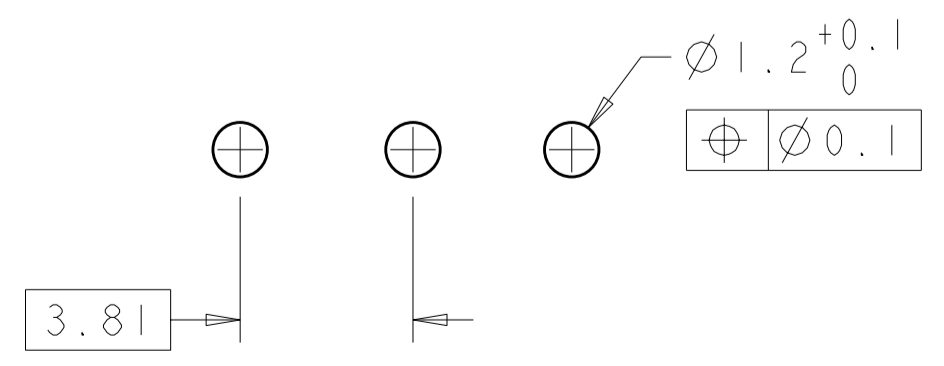


1776113-3 AS SHOWN

- ⚠ MATERIALS AND FINISH:  
 HOUSING: HIGH TEMPERATURE POLYAMIDE, UL 94V-0 RATED,  
 COLOR: BLACK.  
 TERMINAL: COPPER ALLOY, TIN PLATED.  
 CLAMP: COPPER ALLOY, NICKEL PLATED.  
 CLAMPING SCREW: COPPER ALLOY, NICKEL PLATED.
- WIRE SIZE RANGE: 16-28 AWG.
  - CURRENT RATING: 12A, 150V  
 OPERATING TEMPERATURE: -40°C TO +110°C
  - SUITABLE FOR 2.4mm MAX PCB BOARD THICKNESS.



|       |       |       |             |
|-------|-------|-------|-------------|
| 3.5   | 45.72 | 12    | 3-1776113-2 |
|       | 41.91 | 11    | 3-1776113-1 |
|       | 38.10 | 10    | 3-1776113-0 |
|       | 34.29 | 9     | 2-1776113-9 |
|       | 30.48 | 8     | 2-1776113-8 |
|       | 26.67 | 7     | 2-1776113-7 |
|       | 22.86 | 6     | 2-1776113-6 |
|       | 19.05 | 5     | 2-1776113-5 |
|       | 15.24 | 4     | 2-1776113-4 |
|       | 11.43 | 3     | 2-1776113-3 |
|       | 7.62  | 2     | 2-1776113-2 |
|       | 2.6   | 45.72 | 12          |
| 41.91 |       | 11    | 1-1776113-1 |
| 38.10 |       | 10    | 1-1776113-0 |
| 34.29 |       | 9     | 1776113-9   |
| 30.48 |       | 8     | 1776113-8   |
| 26.67 |       | 7     | 1776113-7   |
| 22.86 |       | 6     | 1776113-6   |
| 19.05 |       | 5     | 1776113-5   |
| 15.24 |       | 4     | 1776113-4   |
| 11.43 |       | 3     | 1776113-3   |
| 7.62  |       | 2     | 1776113-2   |
| DIM A |       | L     | NO OF POSN  |



RECOMMENDED PC BOARD LAYOUT

THIS DRAWING IS A CONTROLLED DOCUMENT. DWN S. WELDON 02JUN2005  
 CHK C. RICHARD 02JUN2005  
 APVD C. RICHARD 02JUN2005

**STE** TE Connectivity

NAME: TERMINAL BLOCK, PCB MOUNT, STRAIGHT, 8.5mm PROFILE, SIDE WIRE ENTRY, 3.81mm PITCH

|             |  |              |        |           |            |               |
|-------------|--|--------------|--------|-----------|------------|---------------|
| DIMENSIONS: | TOLERANCES UNLESS OTHERWISE SPECIFIED:                               | PRODUCT SPEC | SIZE   | CAGE CODE | DRAWING NO | RESTRICTED TO |
| mm          | 0 PLC ±<br>1 PLC ±0.3<br>2 PLC ±0.25<br>3 PLC ±0.000<br>4 PLC ±0.000 | -            | A2     | 00779     | C-1776113  | -             |
| MATERIAL    | FINISH   | APPLIC. SPEC | WEIGHT | SCALE     | SHEET      | OF            |
| ⚠           | ⚠  | -            | -      | 6:1       | 1          | 1             |

CUSTOMER DRAWING