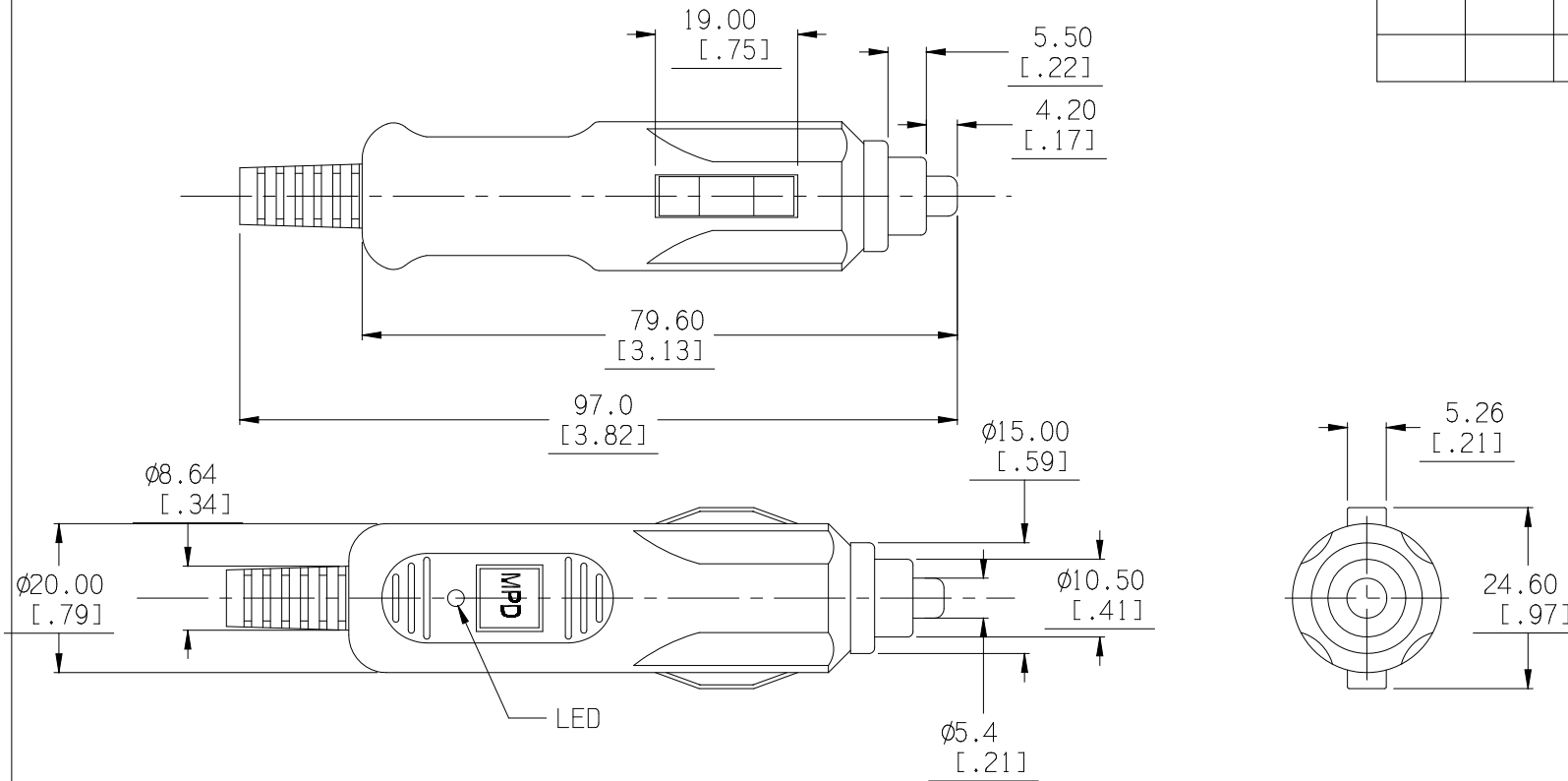



Date	SYM	REVISION RECORD	AUTH	DR	CK
9/19/08	A	UPDATED DIM. AND MATERIAL	T.B.	B.S.	
10/07/11	B	2.2K OHM WAS 22K	T.B.	B.S.	
10/05/12	C	UPDATED UL FILE NO.	T.B.	B.S.	



**SPECIFICATION:**

BODY: PBT (V0) + GF, UL FILE #E130155  
 COLOR: BLACK  
 CENTER CONTACT: BRASS, NICKEL PLATED  
 NEG. TERMINAL: SK5, GOLD PLATED  
 POS. TERMINAL: P.B., GOLD PLATED  
 SPRING:  $\phi 0.8$  P.B. WIRE, GOLD PLATED  
 WIRE STRAIN RELIEF: PVC  
 LED: RED,  $\phi 3$ mm, 2.2K Ohm, 1/4 W  
 FUSE: 20AMP., 6.35mm x 30mm (1/4" X 1 1/4")  
 RATED AT 18 HOURS, CONTINUOUS DUTY  
 20 AMP'S MAX WITH CORRECT FUSE.  
 ROHS COMPLIANT

Tolerance (Inches)	 Memory Protection Devices, Inc. 200 Broad Hollow Road, Farmingdale, New York 11735		
Decimal		Scale	Drawn By B.S.
$\pm .5$ (.020)			Approved By T.B.
Fractional	Title		
$\pm .8$ (.030)	20 AMP CIGARETTE PLUG FOR 21 OR 22.2mm DIA. SOCKETS		
Angular	Date	Drawing Number	
$\pm 3^\circ$	10/05/12	APP-001-20AMP	