

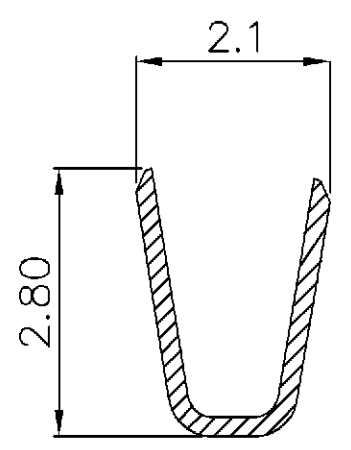
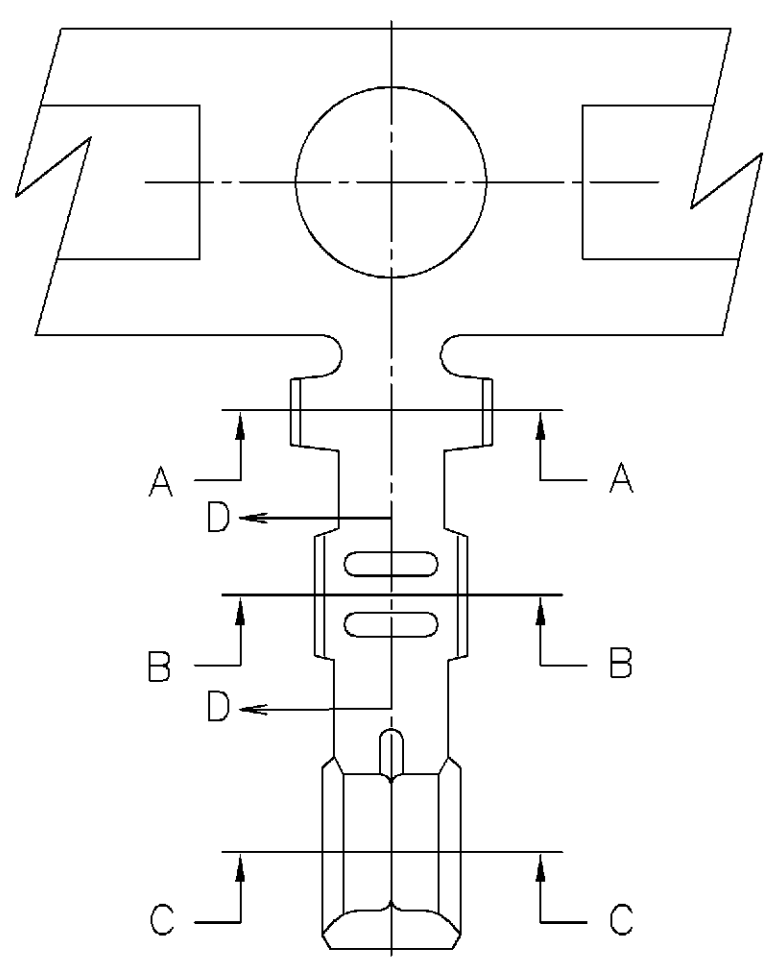
PRINT DIST DW

THIS INFORMATION IS CONFIDENTIAL AND IS DISCLOSED TO YOU ON CONDITION THAT NO FURTHER DISCLOSURE IS MADE BY YOU TO OTHER THAN AMP PERSONNEL WITHOUT WRITTEN AUTHORIZATION FROM AMP (TAIWAN) LTD. DIMENSIONS IN MILLIMETERS. DO NOT SCALE PRINT.

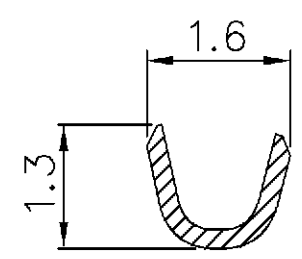
METRIC

3RD ANGLE PROJECTION

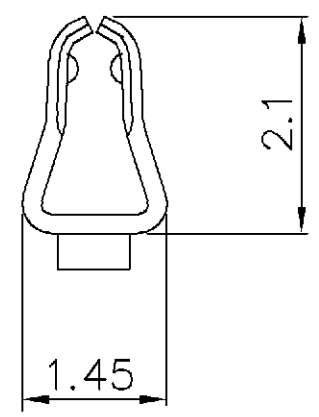
NUMBER C-440132



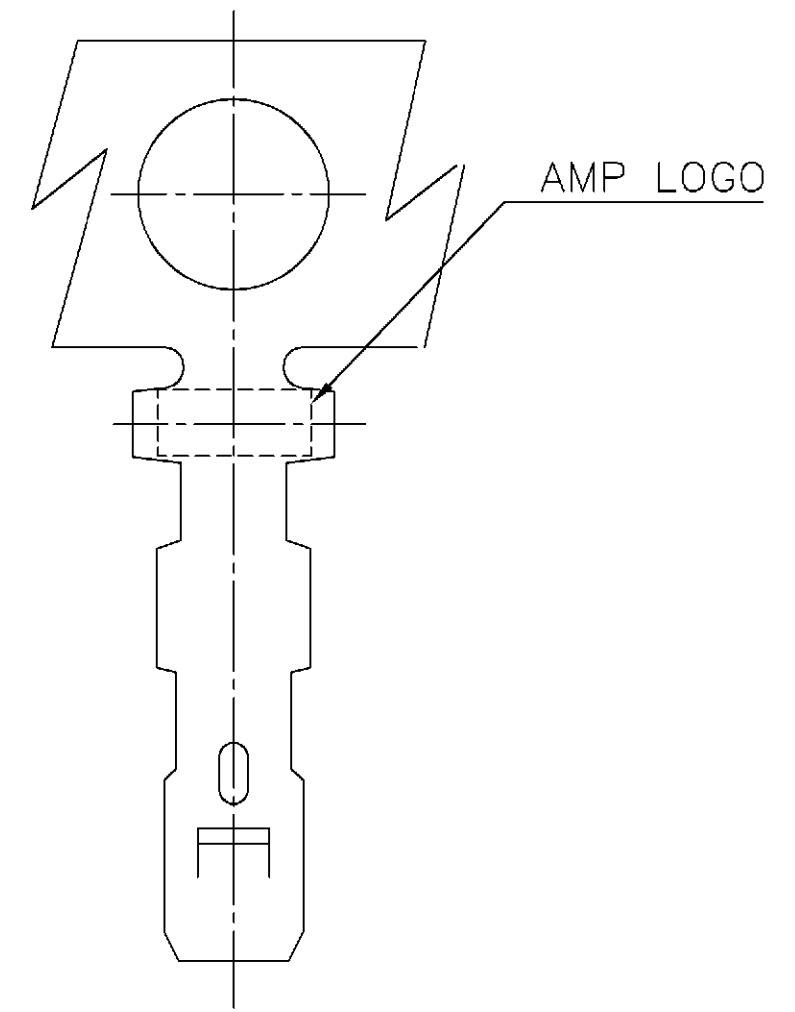
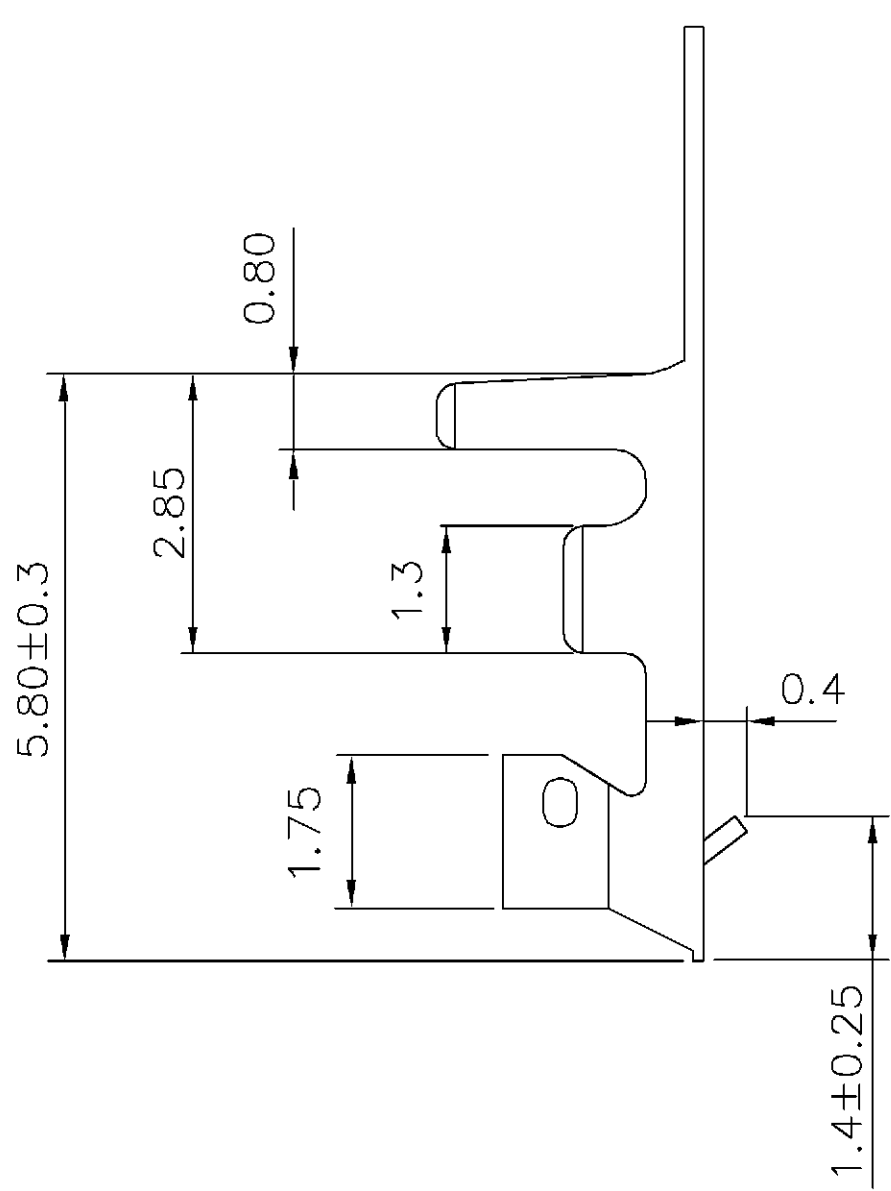
SEC A-A



SEC B-B



SEC C-C



- NOTE:
1. MATERIAL: PHOSPHOR BRONZE, THICKNESS: 0.20mm.
  2. FINISH: PRE-TIN PLATED.
  3. ACCEPTS HOUSING: 440129
  4. APPLICABLE WIRES: AWG #30-#24
  5. INSULATION O.D.: 0.9 TO 1.5mm
  6. Q'TY/REEL: 10,000 PCS.
  7. GENERAL TOLERANCE: ±0.3

B	REVISED	FZ00-0230-02	OH JC	30OCT 2002
LTR	REVISION RECORD	ECN	DWN CHK	DATE

TOLERANCES UNLESS OTHERWISE SPECIFIED:		DWN	O. HU	28-OCT-2002		TYCO HOLDINGS (BERMUDA) VII LTD. TAIWAN BRANCH
0 PLC ±	1 PLC ±	CHK	J. CHENG	28-OCT-2002		
2 PLC ±	3 PLC ±	MATERIAL		APVD	J. WU	2.0 MM PITCH HPI CRIMP CONTACT.
ANGLES ±		SEE NOTE		PRODUCT SPEC	28-OCT-2002	
FINISH		SEE NOTE		APPLICATION SPEC	114-57011	LOC DW
				WEIGHT		SIZE A <sub>3</sub>
						DRAWING NO C-440132
						REV B
						SCALE --
						SHEET 1 OF 1

440132-1  
PART NUMBER