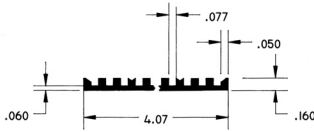


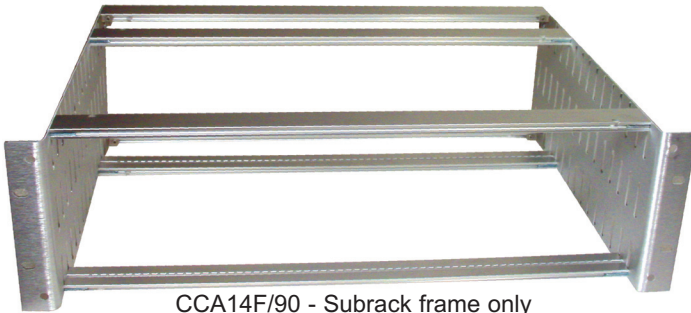
CCA13C/90 - Assembled Subrack with continuous guide plate.



### VectorPak™ Continuous Guide Plate

Card Racks with Continuous Guide Plate allows card placement on 0.150" centers. Guide plates created from extruded 6063-T6 aluminum. 0.80" thick brushed aluminum side plates with clear irridite finish. Rear "T" Struts included for mounting of connectors (Vector P/N HD34).

Part No.	Dimensions (H x W x D)	Description/ Installed
2U Rack CCA10C/90	Card height min. 0.75" to 2.75" max. X 6.5" L 2U (3.50") X 19.0" X 12.0"	Continuous guide plate, conductive
3U Rack CCA13C/90	Card height min. 2.50" to 4.50" max. X 6.5" L 3U (5.25") X 19.0" X 9.0"	Continuous guide plate, conductive
4U Rack CCA19C/90	Card height min. 4.25" to 6.25" max. X 9.6 L 4U (7.00") X 19.0" X 12.0"	Continuous guide plate, conductive
5U Rack CCA15C/90	Card height min. 6.00" to 8.00" max. X 9.6 L 5U (8.75") X 19.0" X 12.0"	Continuous guide plate, conductive

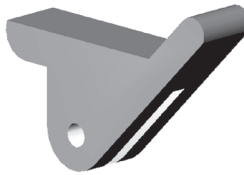
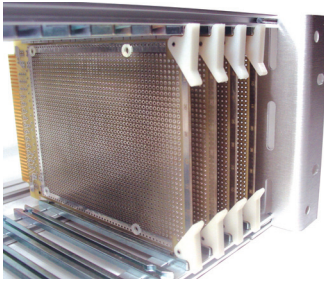


CCA14F/90 - Subrack frame only

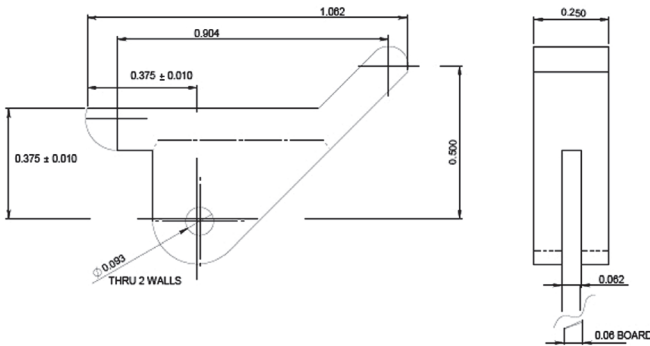
### VectorPak™ Card Frame Only

Card Rack Frame only, no card guides (guides sold separately). Will accept any VectorPak™ CG2-series card guide. More economical when only a few cards needed. Rear "T"-struts included for mounting of connectors (Vector P/N HD34).

Part No. / Version	Description/ Installed	Rack Outer Dimensions (H x W x D)	Kit
2U Rack CCA10F/90	Frame only	2U (3.50") X 19" X 12"	CCK10F/90
3U Rack CCA13F/90	Frame only	3U (5.25") X 19" X 9"	CCK13F/90
4U Rack CCA15F/90	Frame only	4U (7.00") X 19" X 12"	CCK15F/90
5U Rack CCA17F/90	Frame only	5U (8.75") X 19" X 12"	CCK17F/90



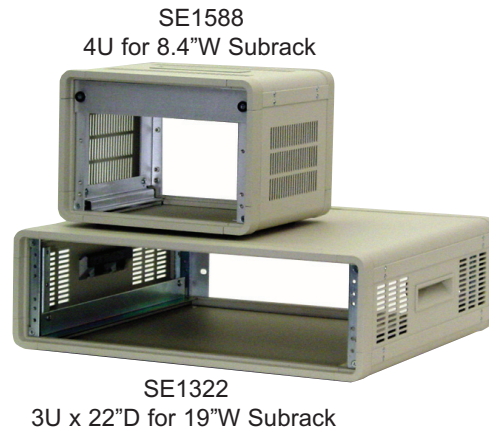
Rotation Type Ejector Handle - HA9



Part No.	Pkg Qty
HA9/4	4
HA9/C	100

- Card ejector, corner mounting
- Supports up to 40 lbs extraction force
- White nylon, (hardware included)

### Attractive & Extremely Rugged Benchtop/Desktop Outer Enclosures



SE1322  
3U x 22"D for 19"W Subrack