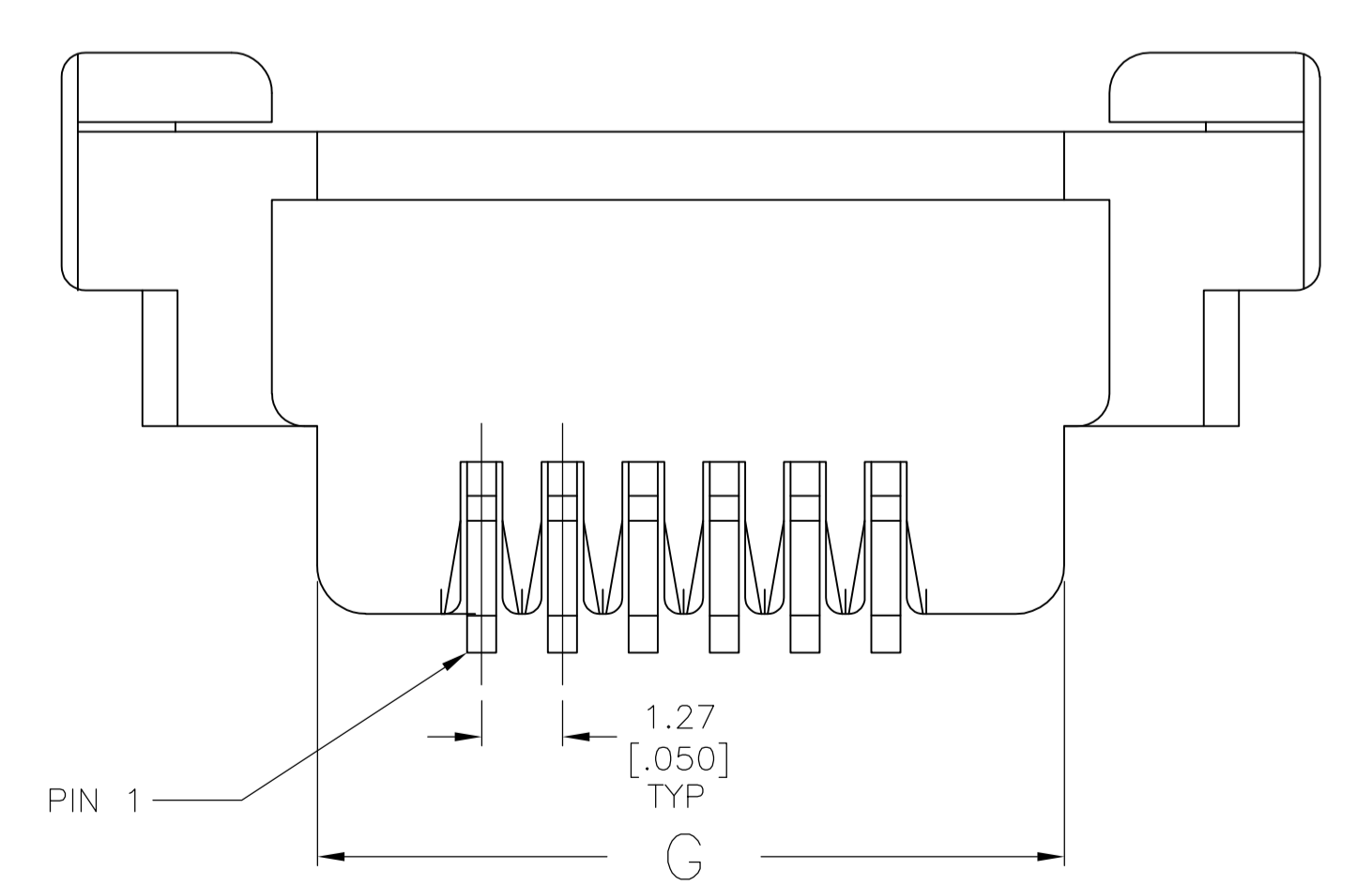
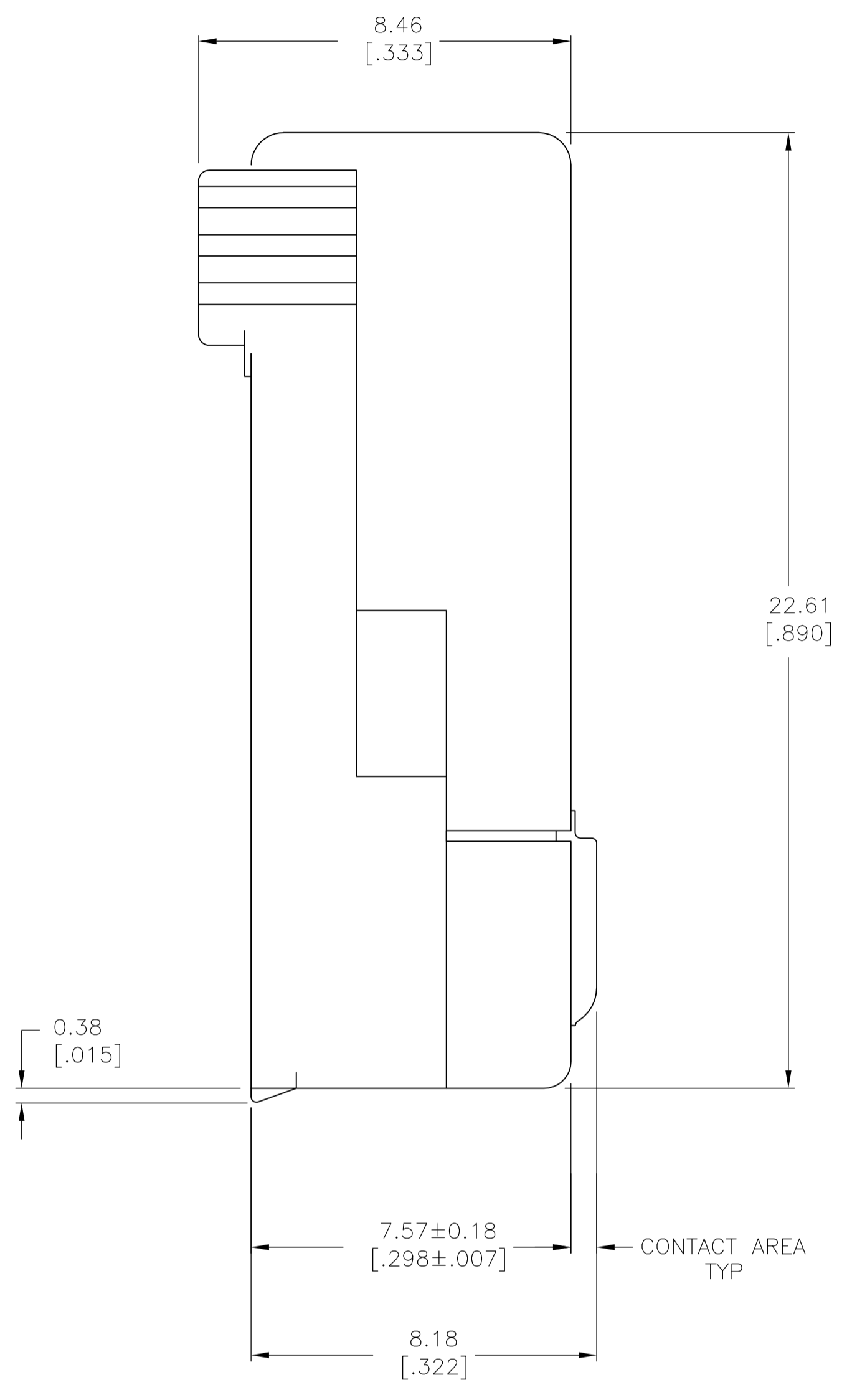
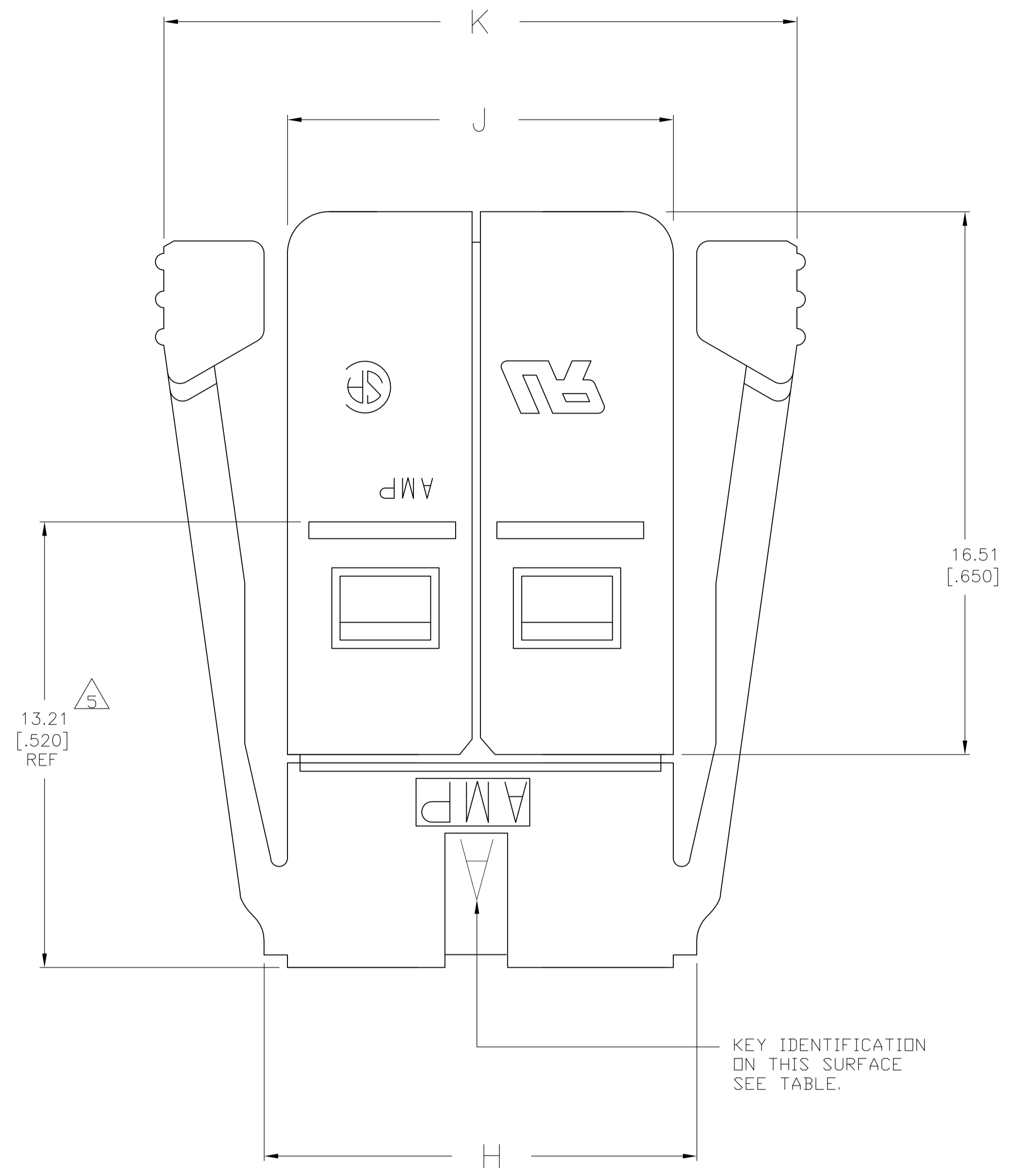


LOC		DIST		REVISIONS			
GP	00	REV	DATE	DESCRIPTION	DATE	BY	APPV
		03	06AUG07	REVISED PER ECO-07-018152		BM	CR



KEY IDENTIFICATION ON THIS SURFACE SEE TABLE.

- PREFIX AND SUFFIX NUMBERS MUST MATCH THOSE ON RECEPTACLE FOR PARTS TO MATE.
- MATERIAL:**
 HOUSING- POLYCARBONATE
 CONTACT- COPPER ALLOY
 SHIELD- BRASS
- FINISH:**
 HOUSING- SMOKE GRAY
 CONTACT- 0.00127[0.00050] MIN NICKEL OVER ENTIRE PART, 0.00002[0.00001] GOLD FLASH OVER ENTIRE PART, 0.00127[0.00050] MIN GOLD OVER CONTACT AREA.
 SHIELD- BRIGHT TIN 0.00076[0.00030] MIN OVER 0.00127[0.00050] MIN NICKEL.
- FOR TERMINATION OF CABLE WHOSE INDIVIDUAL CONDUCTORS HAVE AN INSULATION DIA OF 0.91[0.36] NOMINAL.
- INSERTION DEPTH INTO RECEPTACLE.
- FOR TERMINATION OF 26 OR 28 AWG, 7 STRANDED, FLAT RIBBON CABLE WITH 0.89[0.35] TO 0.96[0.38] O.D. PVC CONDUCTOR INSULATION. SEE 520822-1 FOR DETAIL.

OBSOLETE	21.95	14.60	15.54	14.43	8	E	5-1761187-3
	[0.864]	[0.575]	[0.612]	[0.568]			
	16.87	9.53	10.46	9.35	4	E	5-1761187-1
	[0.664]	[0.375]	[0.412]	[0.368]			
	16.87	9.53	10.46	9.35	4	D	4-1761187-1
	[0.664]	[0.375]	[0.412]	[0.368]			
	32.11	24.76	25.78	24.59	16	A	1-1761187-6
	[1.264]	[0.975]	[1.015]	[0.968]			
	16.87	9.53	10.46	9.35	4	A	1-1761187-1
	[0.664]	[0.375]	[0.412]	[0.368]			
	K	J	H	G	NO OF POSN	KEY ID	PART NUMBER

THIS DRAWING IS A CONTROLLED DOCUMENT.

DIMENSIONS: mm [INCHES]	TOLERANCES UNLESS OTHERWISE SPECIFIED:	0. PLC ± -	1. PLC ± -	2. PLC ± 0.25 [010]	3. PLC ± -	4. PLC ± -	ANGLES ± -
-------------------------	--	------------	------------	---------------------	------------	------------	------------

DIN B. MCMASSTER 26APR04	26APR04	26APR04	26APR04
CHK C. RÖHDE	APPRO M. WALMSLEY	NAME	
Tyco Electronics Corporation Harrisburg, PA 17105-3608		PLUG ASSEMBLY, FLAT CABLE, 36 SERIES, SDL	
PRODUCT SPEC 108-2047	APPLICATION SPEC 114-2086	SIZE A1	CAGE CODE 00779
MATERIAL	FINISH	WEIGHT	SCALE 10:1
CUSTOMER DRAWING		SHEET 1 OF 1	REV 03